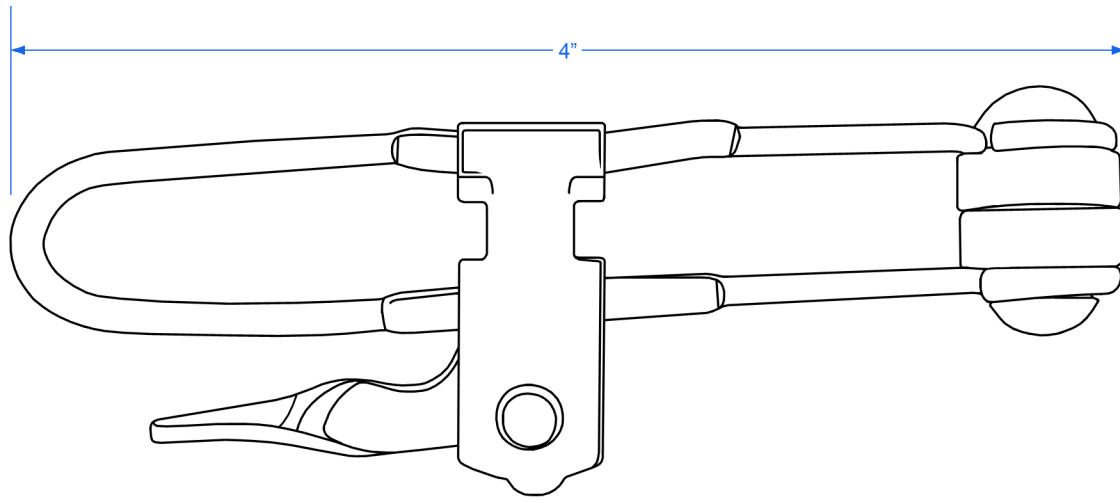


Product Submittal Sheet

FRONT VIEW

SIDE VIEW



Notes:
 Doc's® 4" Acoustical ceiling leveling line grid clamp.
 Product weight 0.05 lbs. each,
 packaged 1 pc per bag.
 Doc's Industries, Inc. reserves the right to change specifications
 without prior notice.

Material	Mild Carbon Steel
Finish	Electroplated Zinc
Origin	Designed in California, Made in China
Certification	N/A
Pkg. Qty.	1 pc per bag
UPC	707129860194

WARNING This product contains a chemical known to the state of California to cause cancer or birth defects or other reproductive harm.



Product Information



7 07129 1 86019 4



Doc's Industries, Inc. 4121 Guardian St. Simi Valley , CA 93063
 www.docindustries.com Phone: 800-544-8706

Part Number: **I-CLAMP-4**

Title: 4" Acoustical ceiling leveling line grid clamp.

Date: 12/12/2023	Drawn by: RO
Drawing Number: 860194	Sheet 1 of 1