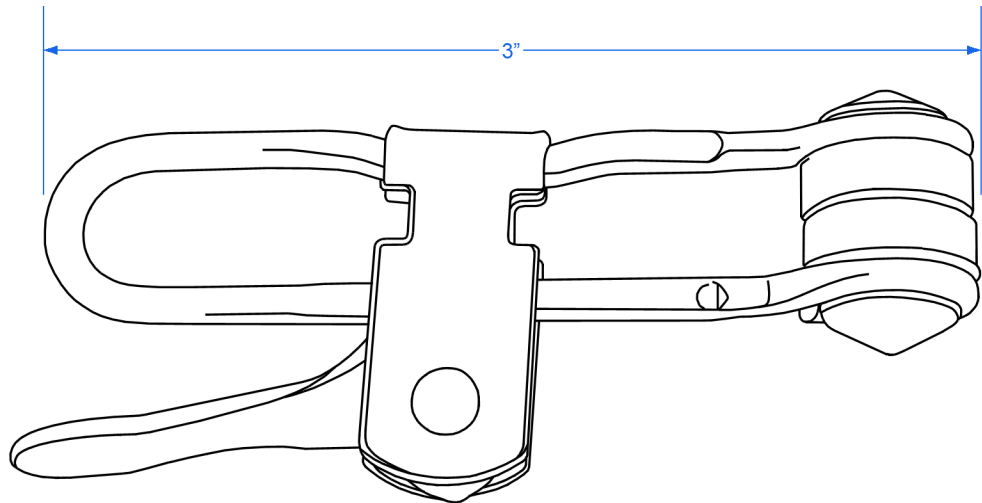


# Product Submittal Sheet

FRONT VIEW

SIDE VIEW



**Notes:**  
 Doc's® 3" Acoustical ceiling leveling line grid clamp.  
 Product weight 0.05 lbs. each,  
 packaged 3 pcs per bag.  
 Doc's Industries, Inc. reserves the right to change specifications  
 without prior notice.

Material	Mild Carbon Steel
Finish	Electroplated Zinc
Origin	Designed in California, Made in China
Certification	N/A
Pkg. Qty.	3 pcs per bag
UPC	686064372880

**WARNING** This product contains a chemical known to the state of California to cause cancer or birth defects or other reproductive harm.



Product Information



6 86064 37288 0



Doc's Industries, Inc. 4121 Guardian St. Simi Valley , CA 93063  
 www.docindustries.com Phone: 800-544-8706

Part Number: **I-CLAMP-3**

Title: 3" Acoustical ceiling leveling line grid clamp.

Date: 12/12/2023

Drawn by: RO

Drawing Number: 372880

Sheet 1 of 1