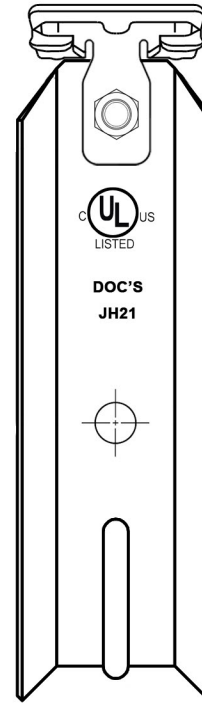
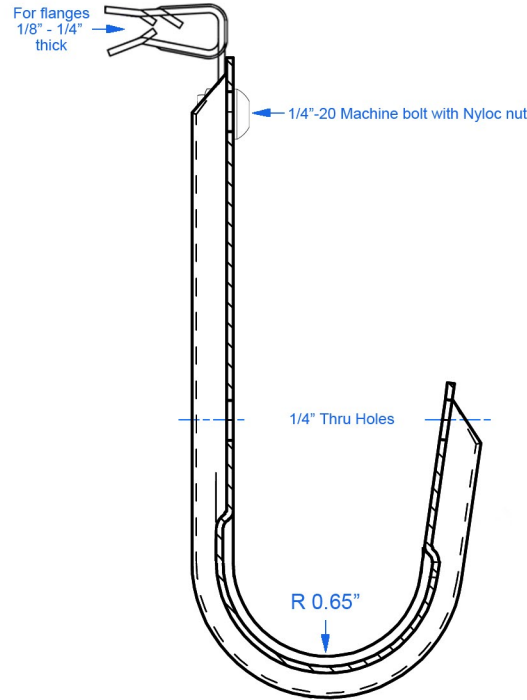
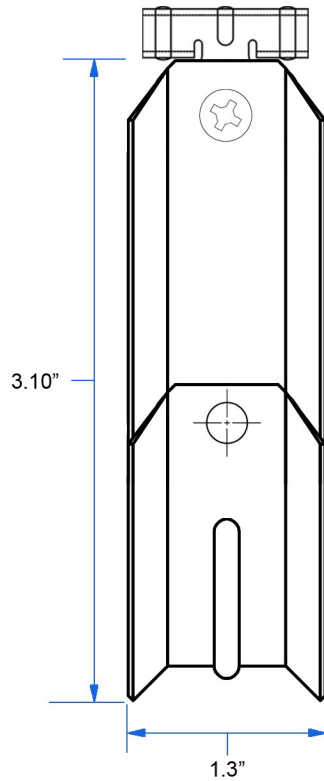
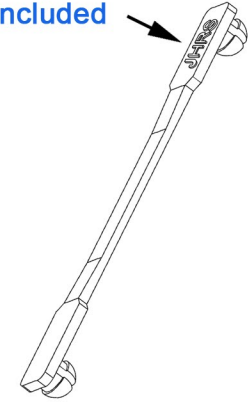


Product Submittal Sheet



Plenum rated snap-in retainers included



© 2023 Doc's Industries, Inc. All Rights Reserved

WARNING: This product can expose you to nickel, which is known to the State of California to cause cancer. For more information go to: www.P65Warnings.ca.gov

Notes:

Doc's® Item No.: JH21HOK24 - 1-5/16" Metal J-Hook with included retainer strap assembled to HOK-24 hammer-on beam clamp for flanges 1/8" - 1/4" thick.
 UL load rating is based on a 3 to 1 safety factor. Ultimate Load rating is to failure point.
 Complies with UL® 2043 and is suitable for use in air handling plenum spaces.
 Optimal support for high performance data cables such as Cat 5e, Cat 6, Cat 6A and Cat 7.

NOTE:
 Actual cable capacity may vary due to CAT cable outside diameter variances by type and manufacturer.
 Consult with the cable manufacturer to ensure the correct cable outside diameter is being used during calculations.

A MITUTOYO CONTOUR TRACER CV-524 WAS USED TO TRACE THE ACTUAL CROSS-SECTION CONTOUR OF THE J-HOOK. BEND RADIUS WAS FIT TO THE RAW DATA TO SIMULATE THE CONTACT OF THE CABLES IN THE J-HOOK.

| | |
|---------------|--|
| Material | Steel |
| Finish | Yellow Zinc |
| Origin | Designed in California, Made in China |
| UL Load | 17 lbs. / 3.82 N |
| Application | Direct fastening / Wall mount |
| Certification | cULus, Plenum Rated, TIA Compliant, Q-Plus |
| Pkg. Qty. | 100 pcs per box |
| UPC | 680283920501 |

Doc's Industries, Inc. 4121 Guardian St. Simi Valley, CA 93063
 www.docindustries.com Phone: 800-544-8706

| Cable Capacity | | | | | |
|----------------|-----------------------|---------|-------|------|----------|
| Part No. | Area | Dia. | CAT5e | CAT6 | CAT6a |
| JH12 | 0.61 in ² | 3/4" | 16 | 10 | 2 - 4 |
| JH21 | 1.86 in ² | 1-5/16" | 50 | 32 | 7 - 15 |
| JH32 | 3.97 in ² | 2" | 80 | 50 | 20 - 30 |
| JH64 | 14.57 in ² | 4" | 300 | 220 | 80 - 120 |

Part Number: **JH21HOK24**

Title: 1-5/16" Metal J-Hook with included retainer strap assembled to HOK-24 hammer-on beam clamp for flanges 1/8" - 1/4" thick.

| | |
|-------------------------|--------------|
| Date: 3/17/2023 | Drawn by: RO |
| Drawing Number: 1019724 | Sheet 1 of 1 |