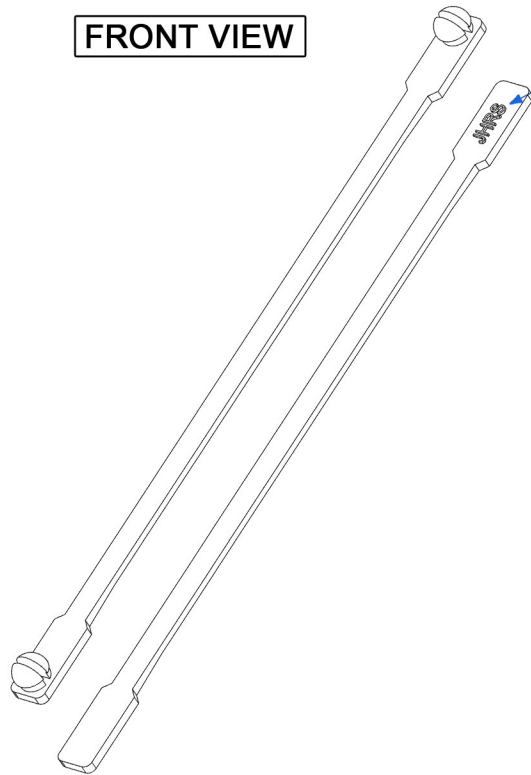


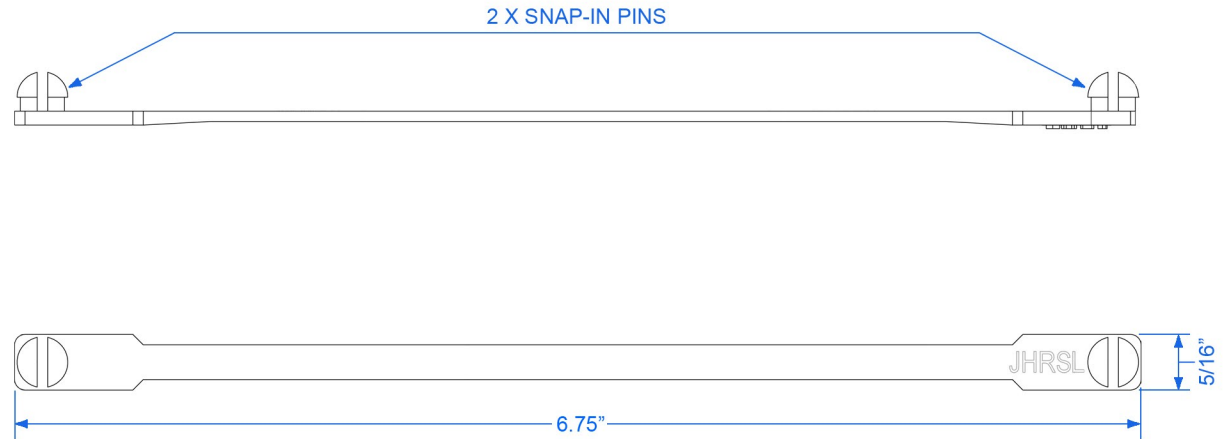
Product Submittal Sheet

FRONT VIEW




Part #

SIDE VIEW



Notes:
 Product weight 0.06 lbs. each or 1.5 lbs. per 25 pcs.
 Packaged 25 pcs per bag.
 Available in -W (White)
 Compatible with all Doc's® JH64 (4") J-hooks.

Material	PP Poylpropelye
Origin	Designed in California, Made in China
Certification	cULus, Plenum Rated, RoHS Compliant
Pkg. Qty.	25 pcs per bag
UPC's	686064372569 (WHITE)



PATENT
PENDING

Plenum Rated



DOC'S INDUSTRIES, INC.

Doc's Industries, Inc. 4121 Guardian St. Simi Valley , CA 93063
 www.docindustries.com Phone: 800-544-8706

Part Number: **JHRSL-W**

Title: Doc's® JHRSL J-Hook Retainer Straps with snap-in lock pins. Specifically designed for use with JH64 (4") JH series J-hooks.

Date: 2/24/2022	Drawn by: RO
Drawing Number: 0169155	Sheet 1 of 1