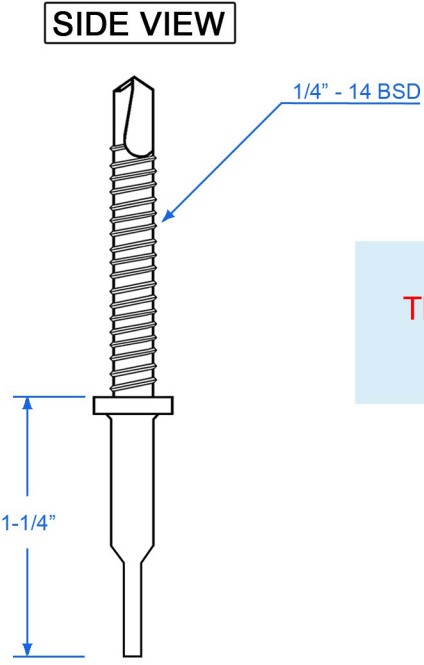
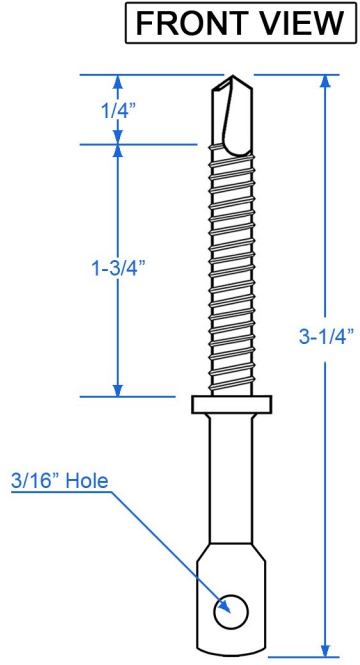
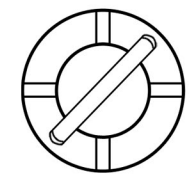


Product Submittal Sheet



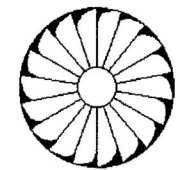
TOP VIEW OF COLLAR



ICC Identification markings
4 X "I"s radiating from the shank on the collar

IDENTIFICATION: ESR-3135 SECTION 7.1
The I-LAG™ brand screws are embossed with four I's radiating from the shank on the top portion of the collar as shown

BOTTOM VIEW OF COLLAR




18 LOCKING SERRATION

Notes:
I-LAG™ Brand eye lag screw part #: 175 SDC, self-drilling screw designed specifically for suspended ceiling applications only. (For tension applications in dry, interior locations only)
Designed to go through 1 - 2 layers of 5/8" drywall and then into 16 - 22 gauge (0.062" - 0.030") sheet metal / decking.
Distributed by Doc's Industries, Inc. Simi Valley, CA 93063

Material	CHQ 1022 Steel
Finish	RoHS Compliant Yellow Zinc Cr3+
Origin	Designed in California, Made in Taiwan
Load Rating	See ICC ESR-3135 & SGS Reports
Certification	ICC ESR-3135, City of Los Angeles (COLA) Research Reports, SGS & STI Independent Testing RoHS, REACH & ARRA Compliant
Pkg. Qty.	100 pcs per box, 10 x 100 pcs per carton
UPC	707129860026

	
	
	
Product Information	

	
DOC'S INDUSTRIES, INC.	
Doc's Industries, Inc. 4121 Guardian St. Simi Valley, CA 93063 www.docindustries.com Phone: 800-544-8706	
Part Number: 175 SDC	
Title: I-LAG™ 3-1/4" Overall length, 2" under the collar with 1-3/4" of thread - self drilling eye lag screw.	
Date: 1/17/2022	Drawn by: RO
Drawing Number: 0175C	Sheet 1 of 1