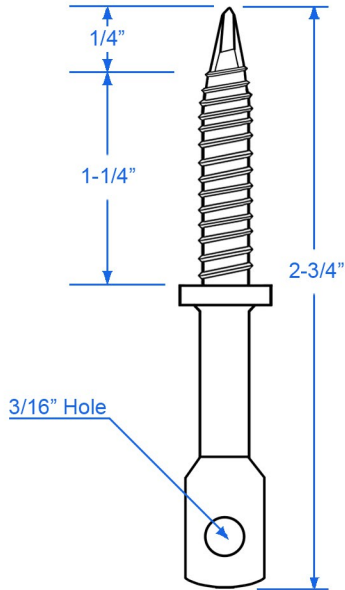
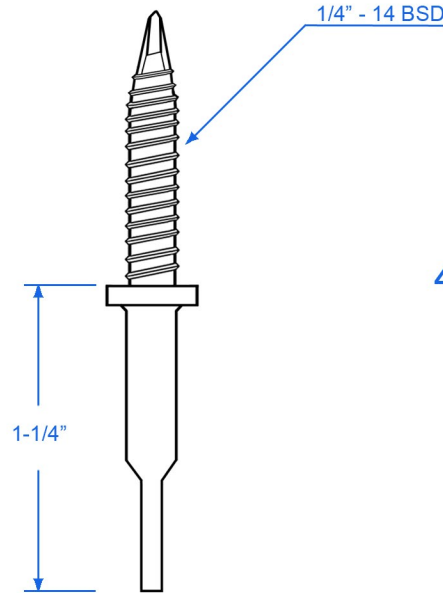


Product Submittal Sheet

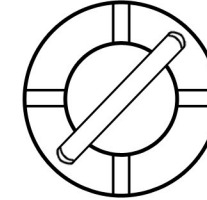
FRONT VIEW



SIDE VIEW

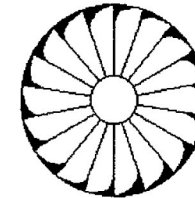


TOP VIEW OF COLLAR



I-LAG™ Brand identification markings
4 X "I's" radiating from the shank on the collar

BOTTOM VIEW OF COLLAR



18 LOCKING SERRATION

Notes:

I-LAG™ Brand eye lag screw part #: 150 PPC,
pinch point screw designed specifically for suspended ceiling
applications only.
(For tension applications in dry, interior locations only)
Designed for 20 - 22 gauge (0.030" - 0.036") sheet metal / decking.
Distributed by Doc's Industries, Inc. Simi Valley, CA 93063

Material	CHQ 1022 Steel
Finish	RoHS Compliant Yellow Zinc Cr3+
Origin	Designed in California, Made in Taiwan
Load Rating	N/A
Certification	RoHS, REACH & ARRA Compliant
Pkg. Qty.	100 pcs per box, 10 x 100 pcs per carton
UPC	707129860064



Product Information



DOC'S INDUSTRIES, INC.

Doc's Industries, Inc. 4121 Guardian St. Simi Valley, CA 93063
www.docindustries.com Phone: 800-544-8706

Part Number:

150 PPC

Title: I-LAG™ 2-3/4" Overall length, 1-1/2" under the collar
with 1-1/4" of thread - pinch point eye lag screw.

Date: 1/17/2022

Drawn by: RO

Drawing Number: 0186C

Sheet 1 of 1