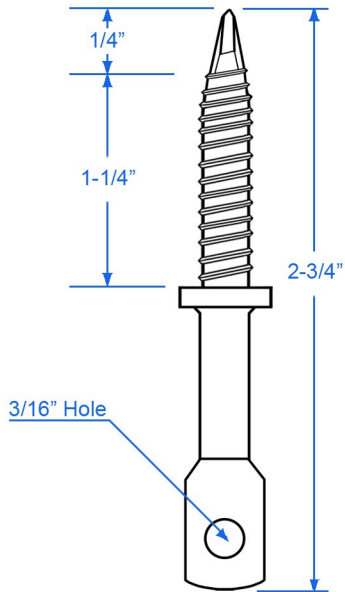
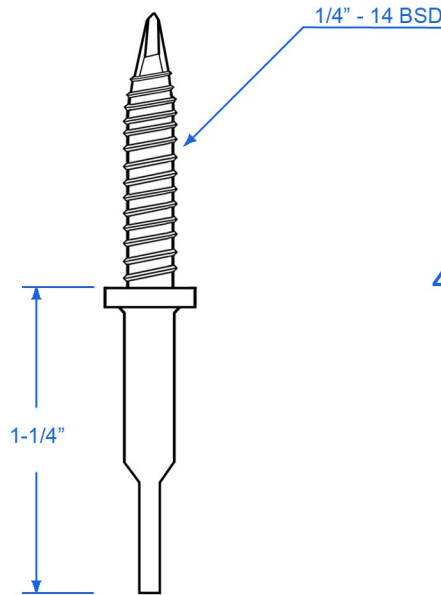


# Product Submittal Sheet

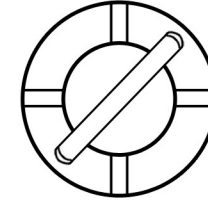
**FRONT VIEW**



**SIDE VIEW**

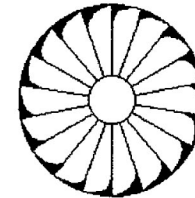


**TOP VIEW OF COLLAR**



I-LAG™ Brand identification markings  
4 X "I's" radiating from the shank on the collar

**BOTTOM VIEW OF COLLAR**



18 LOCKING SERRATION

**Notes:**

I-LAG™ Brand eye lag screw part #: 150 PP,  
pinch point screw designed specifically for suspended ceiling  
applications only.  
(For tension applications in dry, interior locations only)  
Designed for 20 - 22 gauge (0.030" - 0.036") sheet metal / decking.  
Distributed by Doc's Industries, Inc. Simi Valley, CA 93063

Material	CHQ 1022 Steel
Finish	RoHS Compliant Yellow Zinc Cr3+
Origin	Designed in California, Made in Taiwan
Load Rating	N/A
Certification	RoHS, REACH & ARRA Compliant
Pkg. Qty.	1,000 pcs per box
UPC	707129860040

Product Information

RoHS compliant  
ECO FRIENDLY

RECOVERY GOV

7 07129 86004 0

**DOC'S**  
INDUSTRIES, INC.

Doc's Industries, Inc. 4121 Guardian St. Simi Valley, CA 93063  
www.docindustries.com Phone: 800-544-8706

Part Number: **150 PP**

Title: I-LAG™ 2-3/4" Overall length, 1-1/2" under the collar  
with 1-1/4" of thread - pinch point eye lag screw.

Date: 1/17/2022  
Drawing Number: 0186

Drawn by: RO  
Sheet 1 of 1