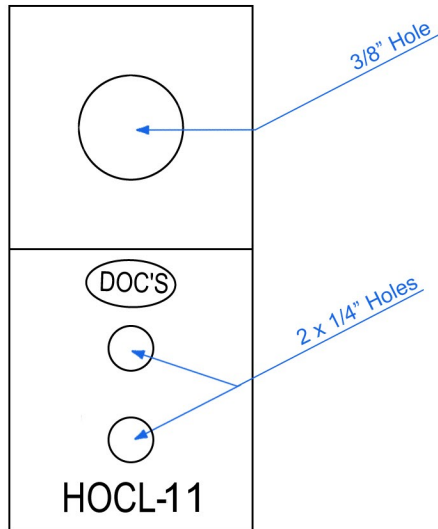
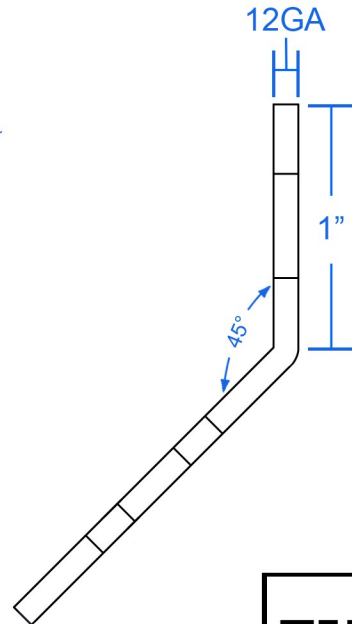


Product Submittal Sheet

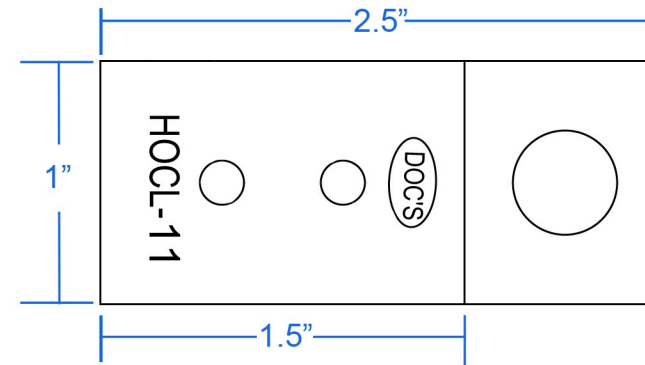
FRONT VIEW



SIDE VIEW



TOP VIEW



Material	Steel
Finish	Eco-friendly electro plated Zinc
Origin	Desinged in California, Made in China
Certification	RoHS & REACH Compliant
Pkg. Qty.	100 pcs per box
UPC	707129860668



Product Page



Complies with:
California
DSA IR 25-2



Complies with:
OSHPD



DOC'S INDUSTRIES, INC.

Doc's Industries, Inc. 4121 Guardian St. Simi Valley , CA 93063
www.docsinindustries.com Phone: 800-544-8706

Part Number:

HOCL-11

Title: Heavy Duty 45 degree 12 gauge
angle clip with 2 x 1/4" holes & 1 x 3/8" hole.

Date: 2/16/2021

Drawn by: RO

Drawing Number: 1134899925

Sheet 1 of 1