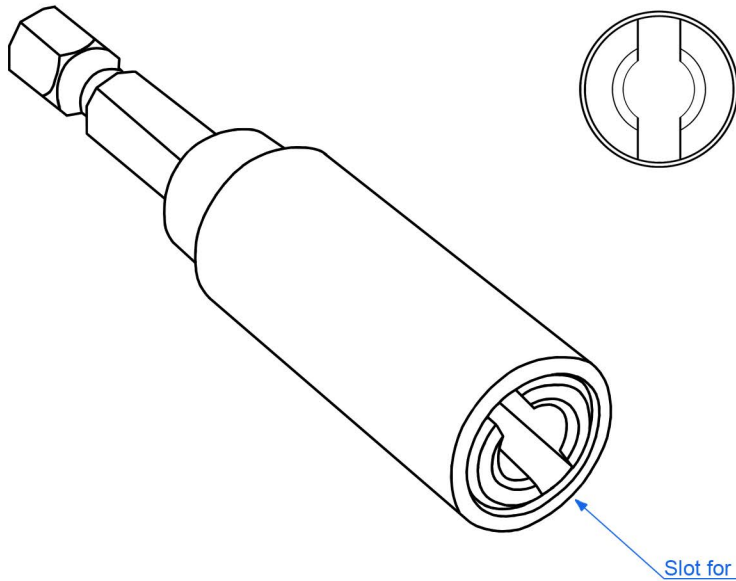
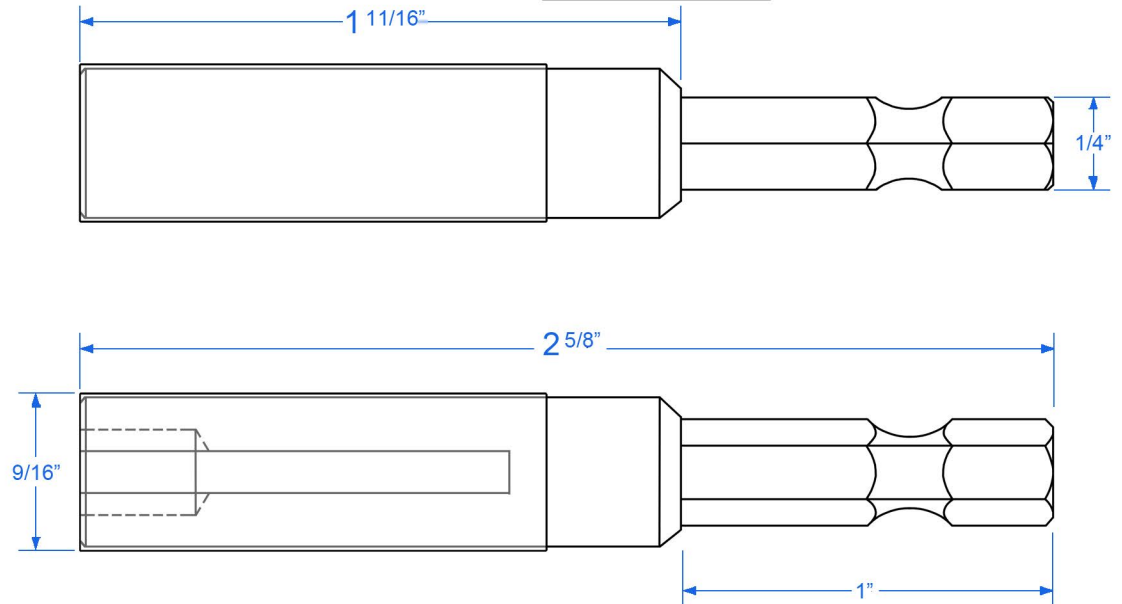


Product Submittal Sheet

FRONT VIEW



SIDE VIEW



Notes:

Doc's® Item No.: I-DRILL DRIVER - 1/4" hex shaft male driver for driving I-LAG™ brand eye lag screws. Fits in most standard 1/4" drivers. Sold individually.

Material	Mild Carbon Steel
Color	Yellow Zinc
Origin	Made in China
Application	Driving I-LAG™ brand eye lag screws
Certification	N/A
Pkg. Qty.	1 EACH
UPC's	707129860606



DOC'S INDUSTRIES, INC.

Doc's Industries, Inc. 4121 Guardian St. Simi Valley, CA 93063
www.docindustries.com Phone: 800-544-8706

Part Number:

I-DRILL DRIVER

Title: Doc's® I-DRILL DRIVER 1/4" hex driver for all I-LAG™ brand eye lag screws for metal or wood applications.

Date: 2/13/2023

Drawn by: RO

Drawing Number: 02491993

Sheet 1 of 1