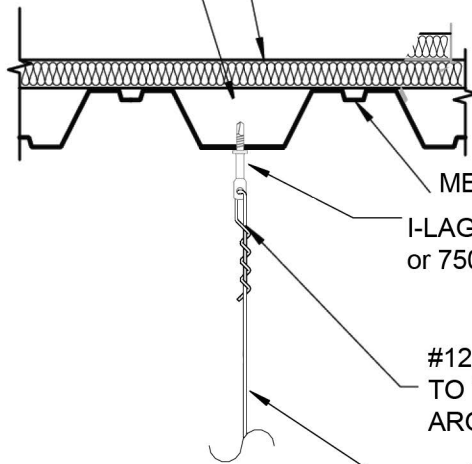




DOC'S INDUSTRIES, INC.

INSULATION OVER
METAL DECK



METAL DECK (16 - 22 GA)

I-LAG brand eye lag screw Part #: 750 SD
or 750 SDC per ICC ESR-3135

#12 GA TYP. HANGER WIRE-TIED
TO 750 SD WITH THREE WRAPS MIN.
AROUND WIRE

4.10

HANGER WIRE CONNECTION TO METAL DECK

Sheet Title : **HANGER WIRE CONNECTION TO METAL DECK**
