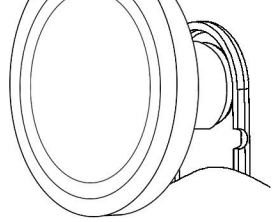
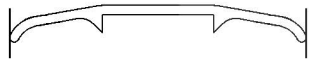


Product Submittal Sheet

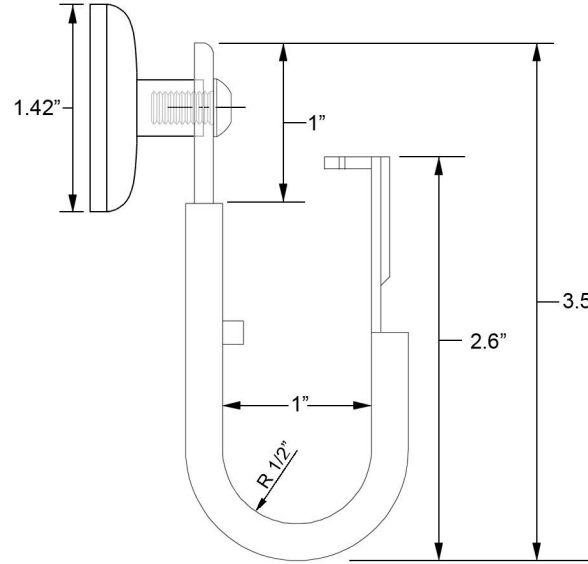
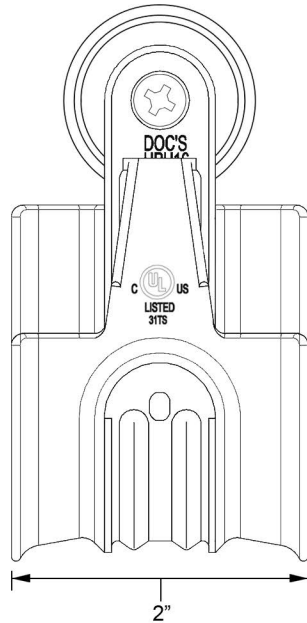
Side Mount
PM90 Pot Magnet



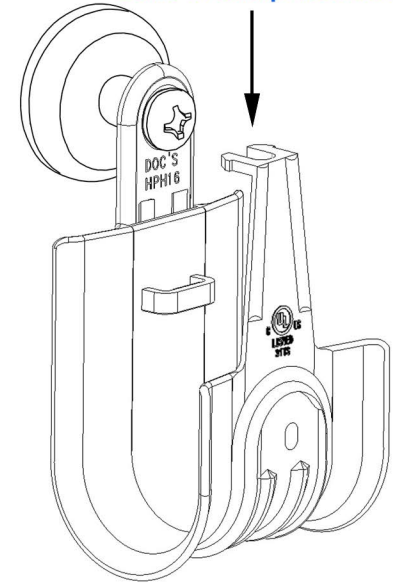
Radius
3.8560"



Q-PLUS Contracer Radius analysis



Built in snap-lock latch




Notes:

Doc's® Item No.: HPH16 - 1" High Performance Hybrid J Hook assembled to PM90 Pot Magnet. TIA 569-D Compliant with an optimum bend radius of 3.8560" - tested and certified by Q-PLUS Laboratories in Irvine, CA 92618. An ISO 9001 registered / ISO 17025 accredited independent lab. UL load rating is based on a 3 to 1 safety factor. Ultimate Load rating is to failure point. Optimal support for high performance data cables such as Cat 5e, Cat 6, Cat 6A and Cat 7.

A MITUTOYO CONTOUR TRACER CV-524 WAS USED TO TRACE THE ACTUAL CROSS-SECTION CONTOUR OF THE J-HOOK. BEND RADIUS WAS FIT TO THE RAW DATA TO SIMULATE THE CONTACT OF THE CABLES IN THE J-HOOK.

| | |
|---------------|---------------------------------------|
| Material | Steel / Polypropylene & Neodymium |
| Finish | Eco-friendly Zinc Cr3+ & Silver Zinc |
| Origin | Designed in California, Made in China |
| UL Load | 20 lbs. / 88.96 N |
| Ultimate Load | N/A |
| Certification | Q-Plus |
| Pkg. Qty. | 10 pcs per box |
| UPC | 680283918584 |

| | | | | | |
|--|---|------|--------|-------|--------|
|  | Plenum Rated TIA Compliant | | | | |
| | Cable Capacity | | | | |
| Part No. | Area | Dia. | CAT 5e | CAT 6 | CAT 6a |
| HPH16 | 1.29 in ² | 1" | 20 | 15 | 10 |
| HPH32 | 3.89 in ² | 2" | 90 | 60 | 35 |
| HPH48 | 8.37 in ² | 3" | 200 | 150 | 80 |
| HPH64 | 15.08 in ² | 4" | 330 | 220 | 140 |



DOC'S INDUSTRIES, INC.

Doc's Industries, Inc. 4121 Guardian St. Simi Valley, CA 93063
www.docindustries.com Phone: 800-544-8706

Part Number:

HPH16PMSM

Title: 1" High Performance Hybrid J Hook with 2" wide base support and built-in snap-lock latch assembled to PM90.

Date: 01/08/2020

Drawn by: RO

Drawing Number: 10016PMSM

Sheet 1 of 1