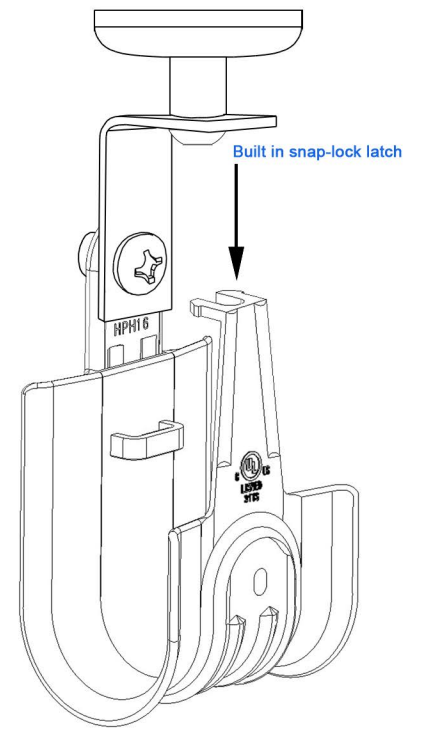
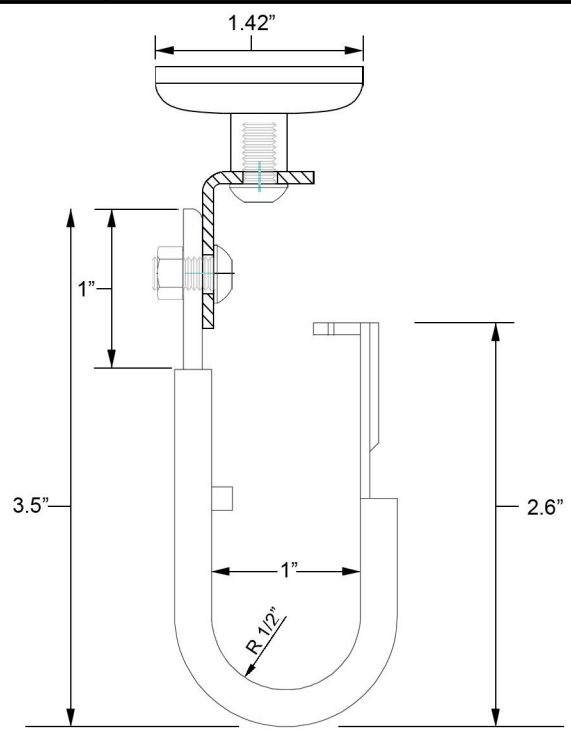
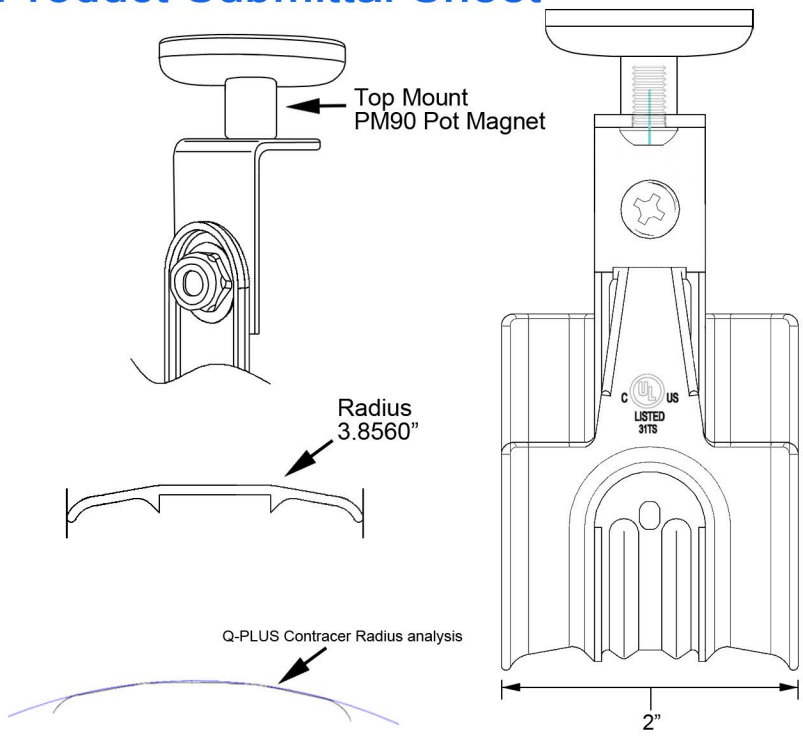


Product Submittal Sheet



Notes:

Doc's® Item No.: HPH16AC - 1" High Performance Hybrid J Hook assembled to 90° angle clip assembled to PM90 Pot Magnet.
 TIA 569-D Compliant with an optimum bend radius of 3.8560" - tested and certified by Q-PLUS Laboratories in Irvine, CA 92618. An ISO 9001 registered / ISO 17025 accredited independent lab. UL load rating is based on a 3 to 1 safety factor. Ultimate Load rating is to failure point. Optimal support for high performance data cables such as Cat 5e, Cat 6, Cat 6A and Cat 7.
 A MITUTOYO CONTOUR TRACER CV-524 WAS USED TO TRACE THE ACTUAL CROSS-SECTION CONTOUR OF THE J-HOOK. BEND RADIUS WAS FIT TO THE RAW DATA TO SIMULATE THE CONTACT OF THE CABLES IN THE J-HOOK.

Material	Steel / Polypropylene & Neodymium
Finish	Eco-friendly Zinc Cr3+ & Silver Zinc
Origin	Desinged in California, Made in China
UL Load	20 lbs. / 88.96 N
Application	Vertical Mount to metallic substrates
Certification	Q-Plus
Pkg. Qty.	10 pcs per box
UPC	680283918591

	Plenum Rated TIA Compliant				
	Cable Capacity				
Part No.	Area	Dia.	CAT 5e	CAT 6	CAT 6a
HPH16	1.29 in ²	1"	20	15	10
HPH32	3.89 in ²	2"	90	60	35
HPH48	8.37 in ²	3"	200	150	80
HPH64	15.08 in ²	4"	330	220	140



Doc's Industries, Inc. 4121 Guardian St. Simi Valley, CA 93063
 www.docindustries.com Phone: 800-544-8706

Part Number:	HPH16PM
Title: 1" High Performance Hybrid J Hook with 2" wide base support and built-in snap-lock latch - assembled to 90° angle clip with PM90 Pot Magnet.	
Date: 01/08/2020	Drawn by: RO
Drawing Number: 10017PM	Sheet 1 of 1