



DOC'S INDUSTRIES, INC.

Doc's JH Series J-Hook Installation Instructions



Mounting to a vertical surface: JH12, JH21, JH32 and JH64

Secure the hook to the wall with a mounting anchor* appropriate to the surface you are mounting it to, such as a screw* or a toggle bolt* as shown on Fig. 2 below.

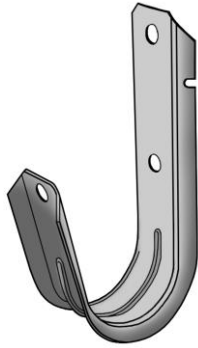


Fig. 1

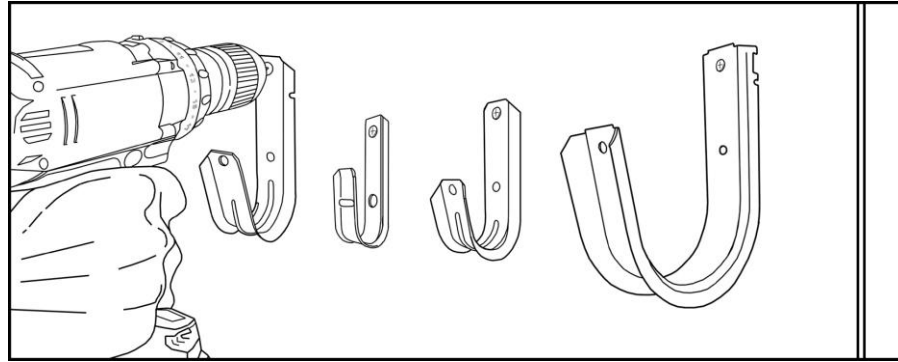


Fig. 2



Part No.	Hook Size	Fig. No.	Ultimate Peak Load		Description
			LBS.	N	
JH12	3/4"	1	17	3.82	Basic J-Hook
JH21	1-5/16"		17	3.82	Basic J-Hook
JH32	2"		17	3.82	Basic J-Hook
JH64	4"		50	11.24	Basic J-Hook

Mounting to a rod or ceiling wire with a bat wing clip: JH12W, JH21W, JH32W and JH64W

The batwing spring steel clip is secured to the J-Hook using an appropriate fastener such as a bolt or a rivet. Depress the batwing between your fingers and attach it to ceiling wire or 1/4" threaded rod as shown on Fig. 4 & Fig. 5 below.

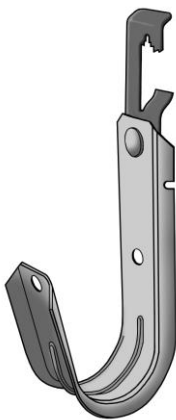


Fig. 3

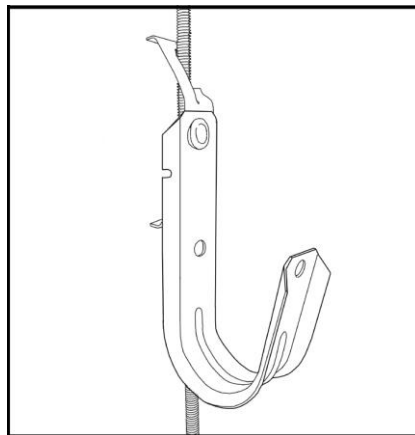


Fig. 4

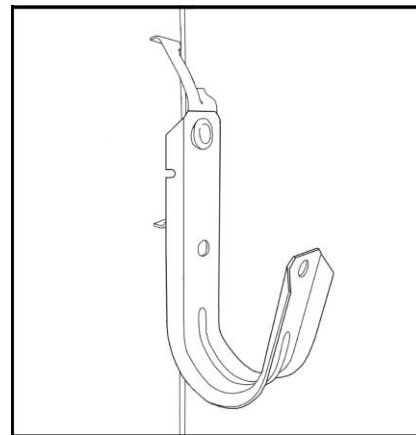


Fig. 5



Part No.	Hook Size	Fig. No.	Ultimate Peak Load		Description
			LBS.	N	
JH12W	3/4"	3	17	3.82	J-Hook assembled to multi-purpose batwing clip
JH21W	1 5/16"		17	3.82	J-Hook assembled to multi-purpose batwing clip
JH32W	2"		17	3.82	J-Hook assembled to multi-purpose batwing clip
JH64W	4"		33.3	7.48	J-Hook assembled to multi-purpose batwing clip

Mounting to a rod or a horizontal surface with an angle clip: JH12AC, JH21AC, JH32AC, JH32AC6, JH64AC & JH64AC6

Secure the angle clip to 1/4" or 3/8" threaded rod with two properly sized nuts as shown on Fig. 8. The clip may be secured directly to a horizontal surface using an appropriate fastener* as shown on Fig. 9 below.

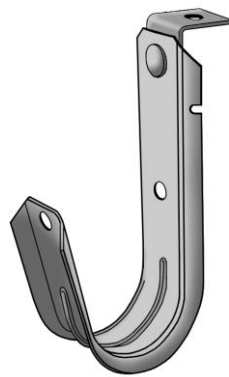


Fig. 6

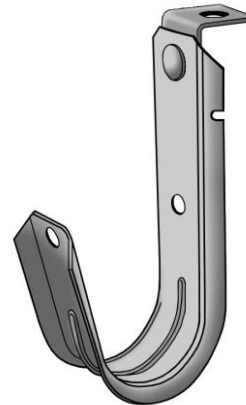


Fig. 7

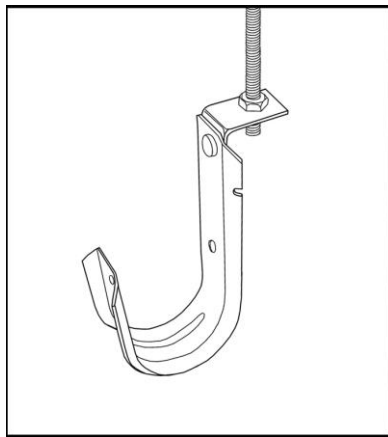


Fig. 8

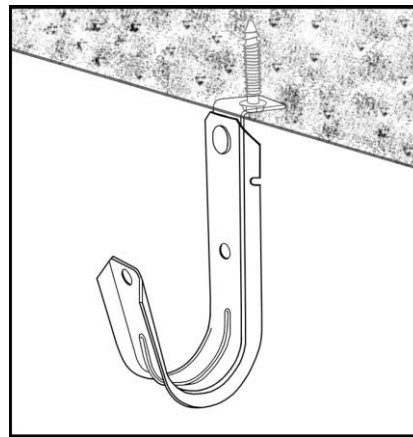


Fig. 9



Part No.	Hook Size	Fig. No.	Ultimate Peak Load		Angle Clip Hole Size	Description
			LBS.	N		
JH12AC	3/4"	6	17	3.82	1/4"	J-Hook assembled to 90° angle clip with 1/4" hole
JH21AC	1 5/16"		17	3.82	1/4"	J-Hook assembled to 90° angle clip with 1/4" hole
JH32AC	2"		17	3.82	1/4"	J-Hook assembled to 90° angle clip with 1/4" hole
JH32AC6	2"	7	17	3.82	3/8"	J-Hook assembled to 90° angle clip with 3/4" hole
JH64AC	4"	6	50	11.24	1/4"	J-Hook assembled to 90° angle clip with 1/4" hole
JH64AC6	4"	7	50	11.24	3/8"	J-Hook assembled to 90° angle clip with 3/4" hole

Mounting to a beam with a knock-on HOK24 or HOK58 beam clamp: JH12HOK-24, JH12HOK-58, JH21HOK-24, JH21HOK-58, JH32HOK-24, JH32HOK-58, JH64HOK-24 & JH64HOK-58

Secure a knock-on beam clamp to a flange using a hammer as shown on Fig. 12 & Fig. 13 below.

Note: The HOK-24 is designed for flanges from 1/8" to 1/4" thick; the HOK-58 is designed for flanges from 5/16" to 1/2" thick.

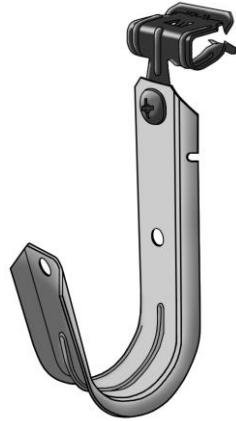


Fig. 10

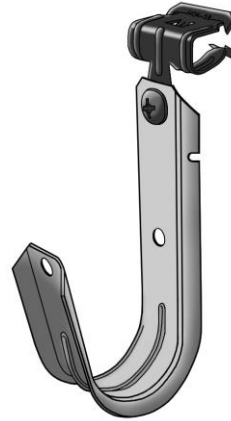


Fig. 11

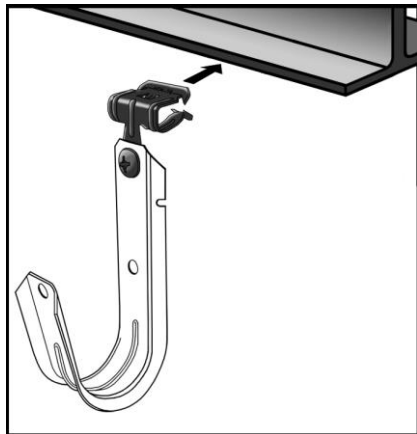


Fig. 12

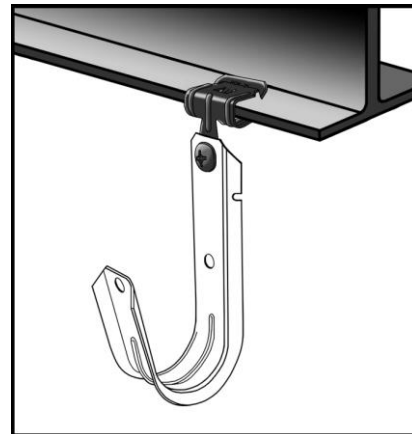


Fig. 13



Part No.	Hook Size	Fig. No.	Ultimate Peak Load LBS. N		Description
JH12HOK24	3/4"	10	17	3.82	J-Hook assembled to knock-on beam clamp for flanges 1/8" - 1/4" thick
JH12HOK58	3/4"	11	17	3.82	J-Hook assembled to knock-on beam clamp for flanges 5/16" - 1/2" thick
JH21HOK24	1-5/16"	10	17	3.82	J-Hook assembled to knock-on beam clamp for flanges 1/8" - 1/4" thick
JH21HOK58	1-5/16"	11	17	3.82	J-Hook assembled to knock-on beam clamp for flanges 5/16" - 1/2" thick
JH32HOK24	2"	10	17	3.82	J-Hook assembled to knock-on beam clamp for flanges 1/8" - 1/4" thick
JH32HOK58	2"	11	17	3.82	J-Hook assembled to knock-on beam clamp for flanges 5/16" - 1/2" thick
JH64HOK24	4"	10	50	11.24	J-Hook assembled to knock-on beam clamp for flanges 1/8" - 1/4" thick
JH64HOK58	4"	11	50	11.24	J-Hook assembled to knock-on beam clamp for flanges 5/16" - 1/2" thick

Mounting to a beam with a knock-on ACFM24 or ACFM58 beam clamp: JH12ACFM24, JH12ACFM58, JH21ACFM24, JH21ACFM58, JH32ACFM24, JH32ACFM58, JH64ACFM24 & JH64ACFM58

Secure a knock-on beam clamp to a flange using a hammer as shown on Fig. 16 & Fig. 17 below.

Note: The ACFM24 is designed for flanges from 1/8" to 1/4" thick. The ACFM58 is designed for flanges from 5/16" to 1/2" thick. Both the ACFM24 & ACFM58 can be rotated 360°.

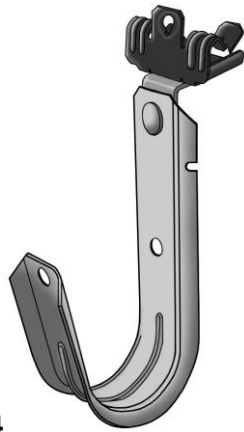


Fig. 14

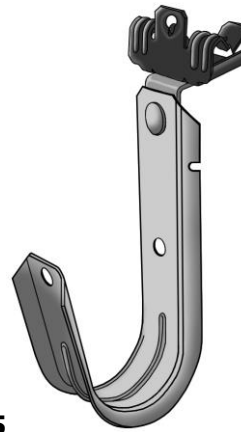


Fig. 15

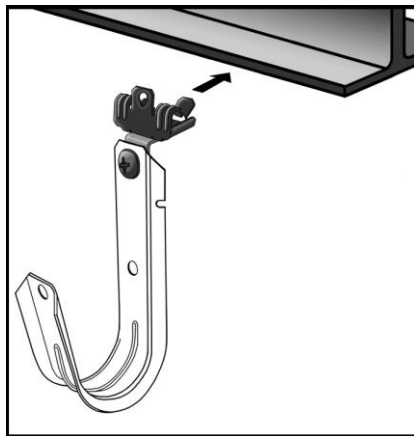


Fig. 16

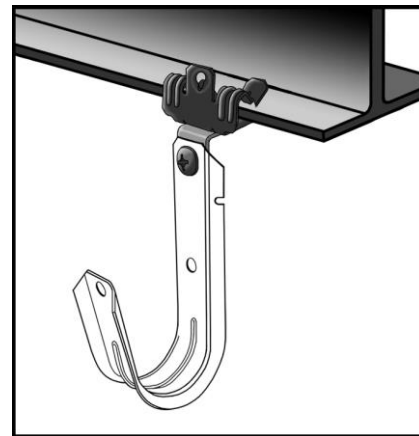


Fig. 17



Part No.	Hook Size	Fig. No.	Ultimate Peak Load		Description
			LBS.	N	
JH12ACFM24	3/4"	14	17	3.82	J-Hook assembled to knock-on beam clamp for flanges 1/8" - 1/4" thick, rotates 360°
JH12ACFM58	3/4"	15	17	3.82	J-Hook assembled to knock-on beam clamp for flanges 5/16" - 1/2" thick, rotates 360°
JH21ACFM24	1 5/16"	14	17	3.82	J-Hook assembled to knock-on beam clamp for flanges 1/8" - 1/4" thick, rotates 360°
JH21ACFM58	1 5/16"	15	17	3.82	J-Hook assembled to knock-on beam clamp for flanges 5/16" - 1/2" thick, rotates 360°
JH32ACFM24	2"	14	17	3.82	J-Hook assembled to knock-on beam clamp for flanges 1/8" - 1/4" thick, rotates 360°
JH32ACFM58	2"	15	17	3.82	J-Hook assembled to knock-on beam clamp for flanges 5/16" - 1/2" thick, rotates 360°
JH64ACFM24	4"	14	50	11.24	J-Hook assembled to knock-on beam clamp for flanges 1/8" - 1/4" thick, rotates 360°
JH64ACFM58	4"	15	50	11.24	J-Hook assembled to knock-on beam clamp for flanges 5/16" - 1/2" thick, rotates 360°

Mounting to a beam with a screw-on PBC beam clamp: JH12PBC, JH12ACPBC, JH21PBC, JH21ACPBC, JH32PBC, JH32ACPBC, JH64PBC & JH64ACPBC

Secure a screw-on beam clamp to a flange using a 3/8" socket driver or wrench as shown on Fig.20 & Fig.21 below. Tighten the bolt to 20 in-lb.

Note: The PBC & ACPBC's are designed for flanges up to 1/2" thick. The ACPBC can be rotated 360°.

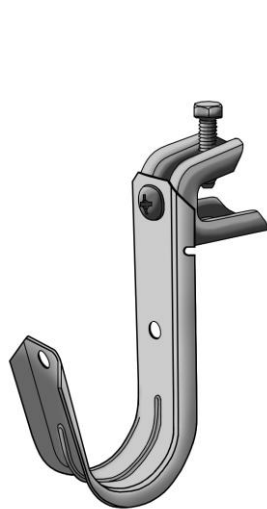


Fig. 18

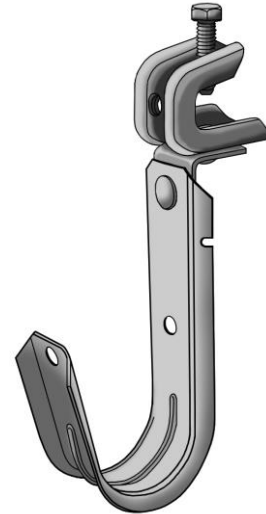


Fig. 19

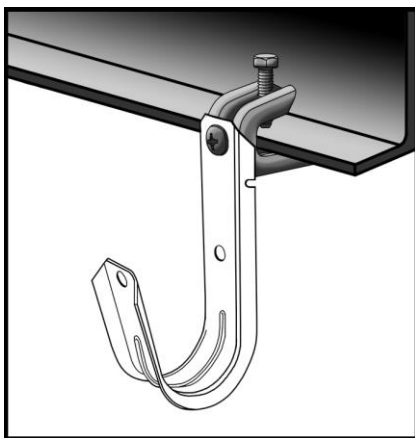


Fig. 20

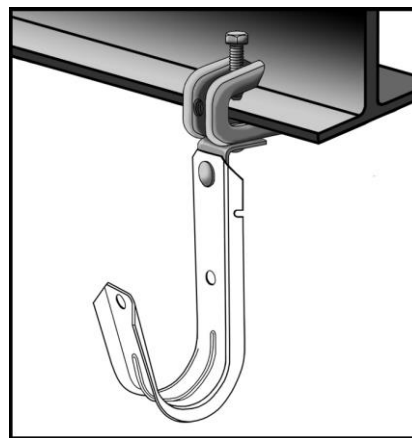


Fig. 21



Part No.	Hook Size	Fig. No.	Ultimate Peak Load		Description
			LBS.	N	
JH12PBC	3/4"	18	17	3.82	J-Hook assembled to pressed beam clamp for flanges up to 1/2" thick
JH12ACPBC	3/4"	19	17	3.82	J-Hook assembled to pressed beam clamp for flanges up to 1/2" thick, rotates 360°
JH21PBC	1 5/16"	18	17	3.82	J-Hook assembled to pressed beam clamp for flanges up to 1/2" thick
JH21ACPBC	1 5/16"	19	17	3.82	J-Hook assembled to pressed beam clamp for flanges up to 1/2" thick, rotates 360°
JH32PBC	2"	18	17	3.82	J-Hook assembled to pressed beam clamp for flanges up to 1/2" thick
JH32ACPBC	2"	19	17	3.82	J-Hook assembled to pressed beam clamp for flanges up to 1/2" thick, rotates 360°
JH64PBC	4"	18	50	11.24	J-Hook assembled to pressed beam clamp for flanges up to 1/2" thick
JH64ACPBC	4"	19	50	11.24	J-Hook assembled to pressed beam clamp for flanges up to 1/2" thick, rotates 360°

Mounting to a beam with a screw-on SSBC spring steel beam clamp: JH12SSBC, JH12ACSSBCC, JH21SSBC, JH21ACSSBC, JH32SSBC, JH32ACSSBC, JH64SSBC & JH64ACSSBC

Secure a screw-on beam clamp to a flange using a 3/8" socket driver, wrench or Philips head screw driver as shown on Fig. 24 & Fig. 25 below. Tighten the bolt to 20 in-lb.

Note: The SSBC & ACSSBC's are designed for flanges up to 1/2" thick. The ACSSBC can be rotated 360°.

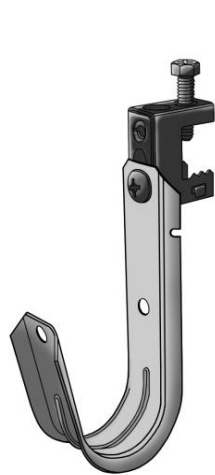


Fig. 22

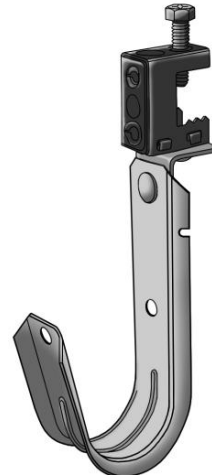


Fig. 23

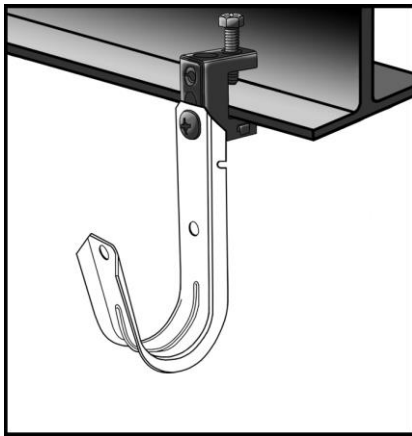


Fig. 24

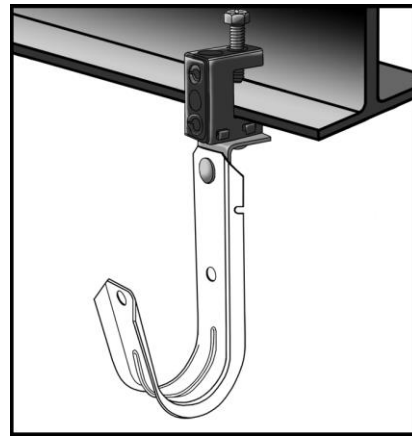


Fig. 25



Part No.	Hook Size	Fig. No.	Ultimate Peak Load LBS. N		Description
JH12SSBC	3/4"	22	17	3.82	J-Hook assembled to spring steel beam clamp for flanges up to 1/2" thick
JH12ACSSBC	3/4"	23	17	3.82	J-Hook assembled to spring steel beam clamp for flanges up to 1/2" thick, rotates 360°
JH21SSBC	1 5/16"	22	17	3.82	J-Hook assembled to spring steel beam clamp for flanges up to 1/2" thick
JH21ACSSBC	1 5/16"	23	17	3.82	J-Hook assembled to spring steel beam clamp for flanges up to 1/2" thick, rotates 360°
JH32SSBC	2"	22	17	3.82	J-Hook assembled to spring steel beam clamp for flanges up to 1/2" thick
JH32ACSSBC	2"	23	17	3.82	J-Hook assembled to spring steel beam clamp for flanges up to 1/2" thick, rotates 360°
JH64SSBC	4"	22	50	11.24	J-Hook assembled to spring steel beam clamp for flanges up to 1/2" thick
JH64ACSSBC	4"	23	50	11.24	J-Hook assembled to spring steel beam clamp for flanges up to 1/2" thick, rotates 360°

Mounting to a joist with a ADOC14 "Z" purlin spring steel clip: JH12ADOC14, JH21ADOC14, JH32 ADOC14, JH64 ADOC14

Secure an ADOC14 spring steel "Z" purlin clip to a joist using a hammer or extension pole installation tool as shown on Fig. 27 & Fig. 28 below.

Note: The ADOC14 is designed for flanges 1/8" - 1/4" thick.

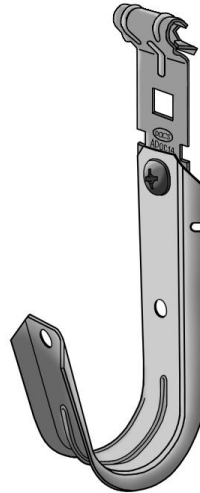


Fig. 26

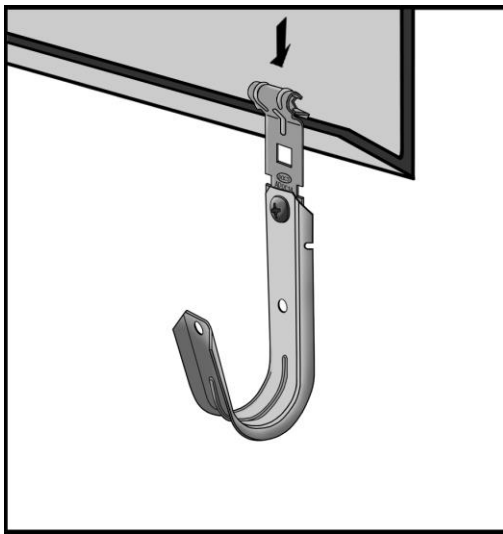


Fig. 27

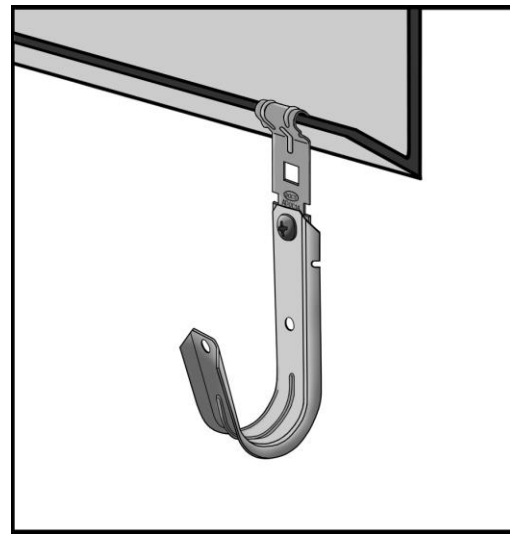


Fig. 28



Part No.	Hook Size	Fig. No.	Ultimate Peak Load LBS. N		Description
JH12ADOC14	3/4"	26	17	3.82	J-Hook assembled to spring steel "Z" purlin clip for flanges 1/8" - 1/4" thick
JH21ADOC14	1 5/16"		17	3.82	J-Hook assembled to spring steel "Z" purlin clip for flanges 1/8" - 1/4" thick
JH32ADOC14	2"		17	3.82	J-Hook assembled to spring steel "Z" purlin clip for flanges 1/8" - 1/4" thick
JH64ADOC14	4"		50	11.24	J-Hook assembled to spring steel "Z" purlin clip for flanges 1/8" - 1/4" thick

Mounting to a joist with a VOH14 "C" purlin spring steel clip: JH12VOH14, JH21VOH14, JH32VOH14, JH64VOH14

Secure a VOH14 spring steel "C" purlin clip to a joist using a hammer or extension pole installation tool as shown on Fig. 30 & Fig. 31 below.

Note: The VOH14 is designed for flanges 1/8" - 1/4" thick.

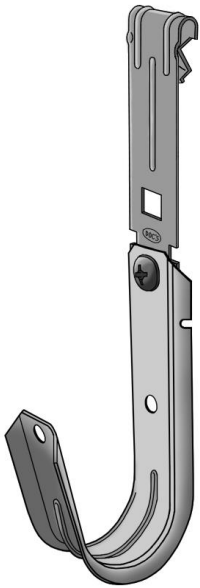


Fig. 29

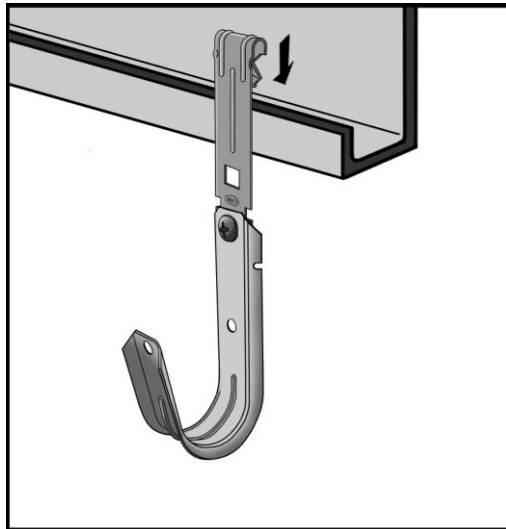


Fig. 30

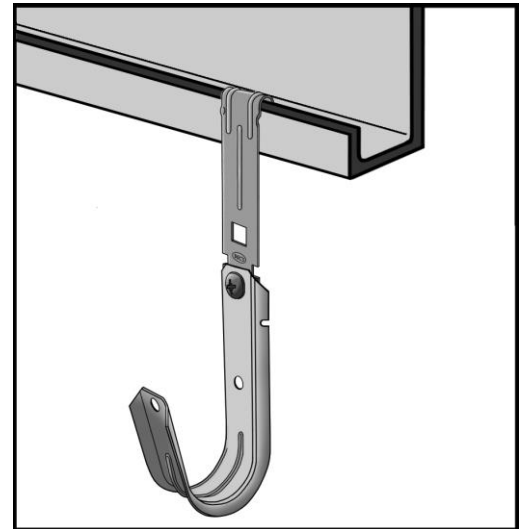


Fig. 31



Part No.	Hook Size	Fig. No.	Ultimate Peak Load LBS. N		Description
JH12VOH14	3/4"	29	17	3.82	J-Hook assembled to spring steel "C" purlin clip for flanges 1/8" - 1/4" thick
JH21VOH14	1 5/16"		17	3.82	J-Hook assembled to spring steel "C" purlin clip for flanges 1/8" - 1/4" thick
JH32VOH14	2"		17	3.82	J-Hook assembled to spring steel "C" purlin clip for flanges 1/8" - 1/4" thick
JH64VOH14	4"		50	11.24	J-Hook assembled to spring steel "C" purlin clip for flanges 1/8" - 1/4" thick

* Consult the manufacturer's instructions and load ratings before using on your application.

