

A

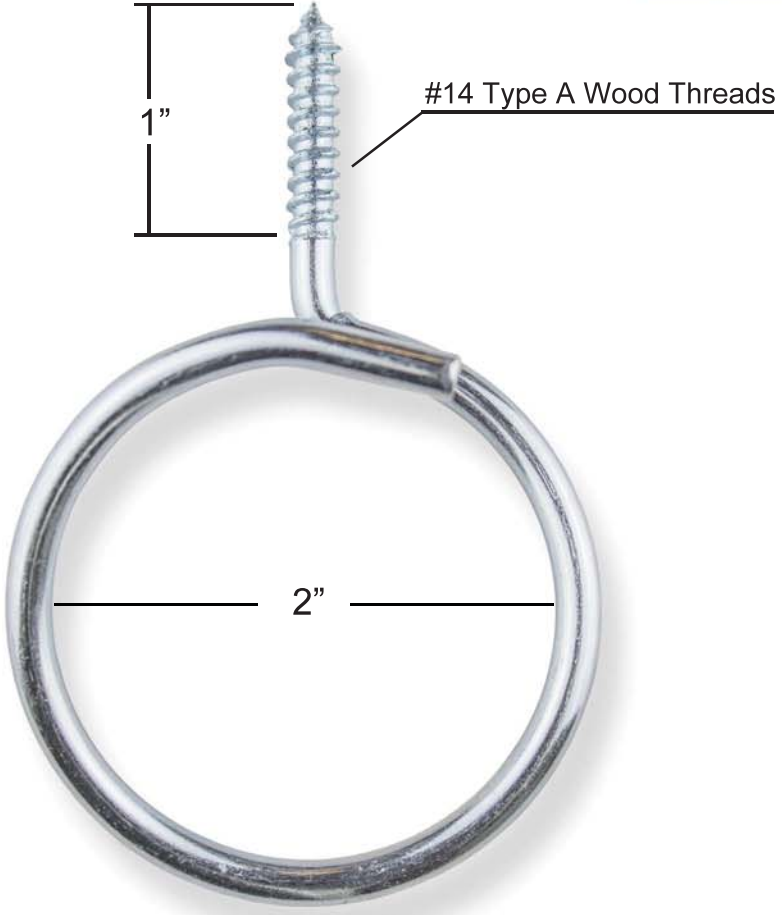
B

C

D

FRONT VIEW

REV	DESCRIPTION	DATE	APPROVAL



2" Diameter Loop Bridle Ring with
 1" x #14 Type A Wood Screw Threads.
 Used to support communication cables & other non data
 sensitive cables & wires.
 Packaged 100 pcs per box

Material	Mild Carbon Steel
Finish	Zinc Type II

Release Approval:	Tolerances: .X = +/- 0.02in .XX = +/- 0.01in .XXX = +/- .005in Unless Otherwise Specified
Release Date:	
Customer Approval:	Proprietary Rights: All information that is contained within is proprietary. Not for unauthorized use or disclosure.



Title: 2" Diameter Bridle Ring with
 1" x #14 Type A Wood Screw Threads

Size: A	Scale: None	Part Number: BR4T200WS	Rev:
Date: 4/15/2016		Drawn by: RO	
Drawing Number: 10008-WS		Sheet 1 of 1	

A

B

C

D

1

2

3

4

1

2

3

4