

A

B

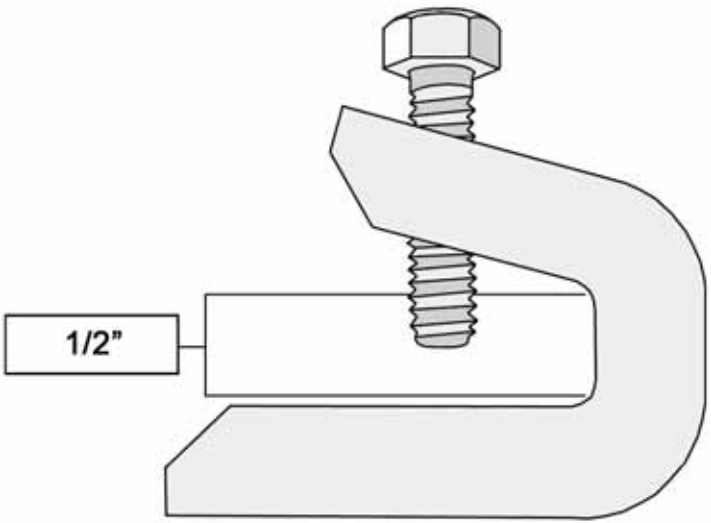
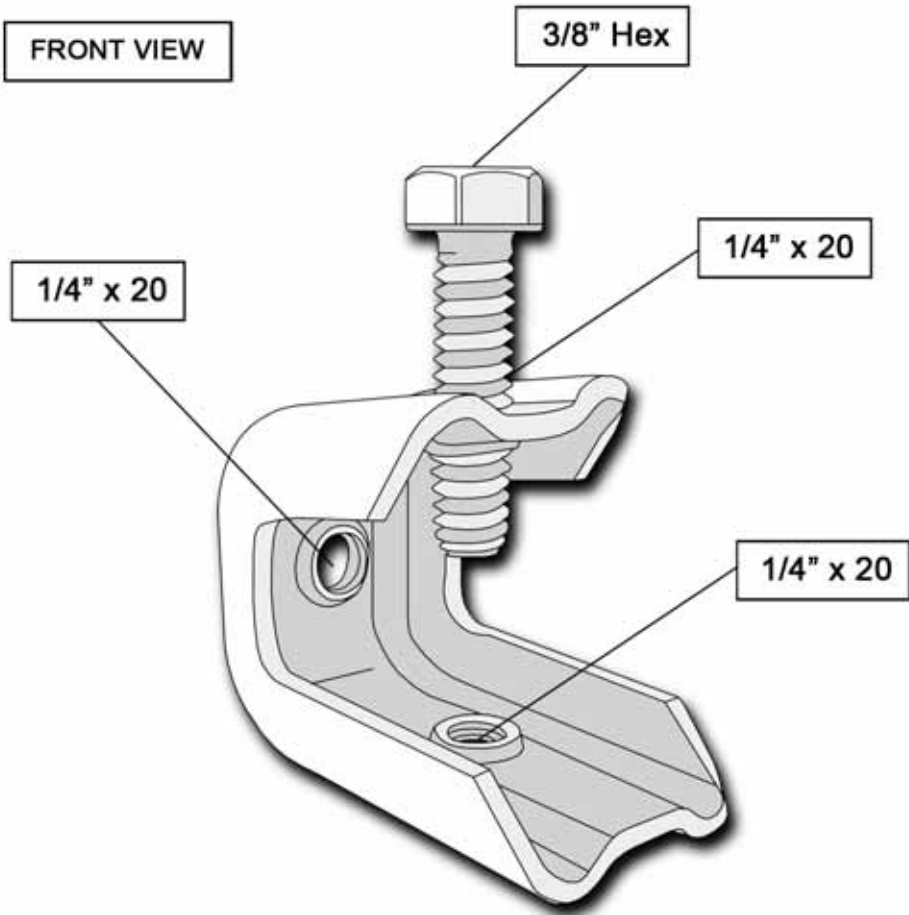
C

D

REV	DESCRIPTION	DATE	APPROVAL

FRONT VIEW

SIDE VIEW



Notes: Pressed beam clamp designed for flanges up to 1/2" thick.
 Ultimate static load: 100 lbs.
 Packaged in bulk boxes of 400pcs.

Material	Mild Carbon Steel
Finish	Electroplated Zinc

Release Approval:	Tolerances: .X = +/- 0.02in .XX = +/- 0.01in .XXX = +/- .005in Unless Otherwise Specified
Release Date:	
Customer Approval:	Proprietary Rights: All information that is contained within is proprietary. Not for unauthorized use or disclosure.

DOC'S
 DOC'S MARKETING CORP.

Part Number: **PBC**

Title: Pressed Beam Clamp for Flanges Up to 1/2" Thick.

Date: 1/17/14	Drawn by: RO
Drawing Number: 0165	Sheet 1 of X

A

B

C

D

1

2

3

4

1

2

3

4