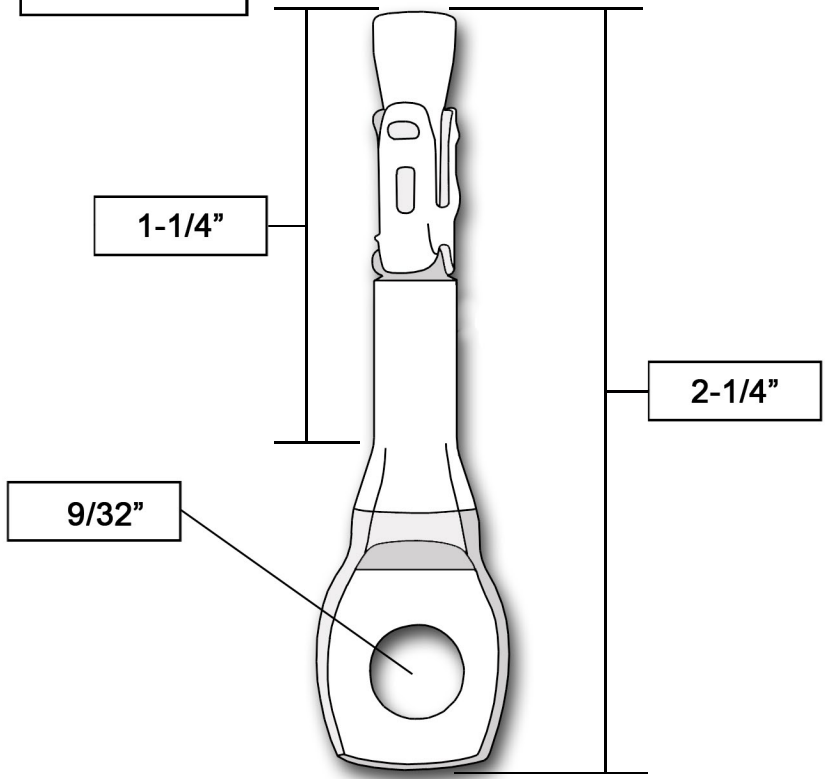


REV	DESCRIPTION	DATE	APPROVAL
1	STI logo added, Part # updated and OA length added	3/18/20	RO

FRONT VIEW



**SPECIALIZED TESTING**

Notes: 1/4" Diameter I-PIN wedge anchor desinged for concrete applications.  
 Packaged 100 pcs per box, 1,000 pcs per carton.  
 (For tension applications only)

Material	Mild Carbon Steel
Finish	Electroplated Zinc

Release Approval:	Tolerances: .X = +/- 0.02in .XX = +/- 0.01in .XXX = +/- .005in Unless Otherwise Specified
Release Date:	Proprietary Rights: All information that is contained within is proprietary. Not for unauthorized use or disclosure.
Customer Approval:	



DOC'S INDUSTRIES, INC.

Part Number: **I-PIN**

Title: 1/4" Diameter I-Pin Wedge Anchor for Concrete Applications.

Date: 3/18/2020	Drawn by: RO
Drawing Number: 0187	Sheet 1 of 1