

A

B

C

D

REV	DESCRIPTION	DATE	APPROVAL

1

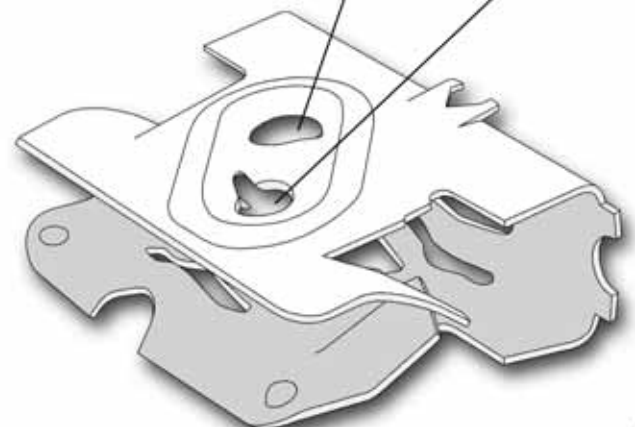
1

FRONT VIEW

1/4" x 20

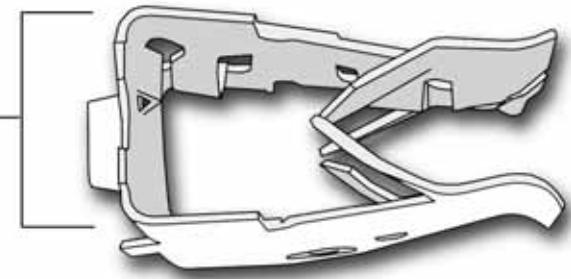
10 x 24

SIDE VIEW

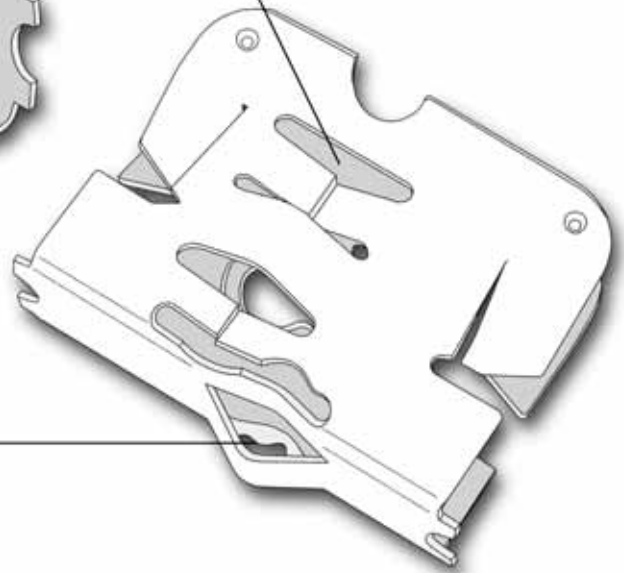


Drive Ring Slot

1/8" - 1/2"




Drive Ring Slot



Notes: Multi-purpose hammer-on spring steel clip for flanges
1/8" - 1/2" thick.
Packaged 100 pcs per box, 1,000 pcs per carton.

Material	Spring Steel
Finish	Dacromet®

Release Approval:	Tolerances: .X = +/- 0.02in .XX = +/- 0.01in .XXX = +/- .005in Unless Otherwise Specified
Release Date:	
Customer Approval:	Proprietary Rights: All information that is contained within is proprietary. Not for unauthorized use or disclosure.



DOC'S MARKETING CORP.

Part Number: **HOKFMP**

Title: Hammer-On Spring Steel Clip for Flanges Up to 1/2" Thick.

Date: 1/17/14	Drawn by: RO
Drawing Number: 0159	Sheet 1 of X

4

4

A

B

C

D