

A

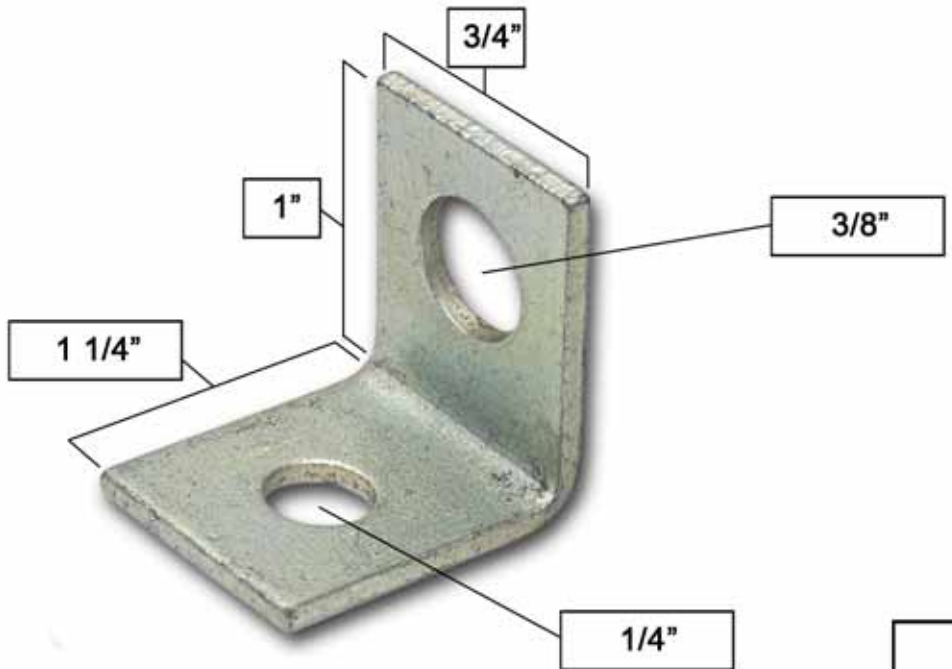
B

C

D

| REV | DESCRIPTION | DATE | APPROVAL |
|-----|-------------|------|----------|
| | | | |
| | | | |

FRONT VIEW



Notes: 90 degree 2 hole 13 gauge general purpose angle clip. Product weight 0.02 lbs. each, packaged 1,000 pcs per box.

| | |
|----------|--------------------|
| Material | Mild Carbon Steel |
| Finish | Electroplated Zinc |

| | |
|--------------------|---|
| Release Approval: | Tolerances: .X = +/- 0.02in .XX = +/- 0.01in .XXX = +/- .005in Unless Otherwise Specified |
| Release Date: | |
| Customer Approval: | Proprietary Rights: All information that is contained within is proprietary. Not for unauthorized use or disclosure. |



Part Number: **HOCL-6**

Title: 13 Gauge General Purpose 90 Degree Angle Clip

| | |
|----------------------|--------------|
| Date: 1/17/14 | Drawn by: RO |
| Drawing Number: 0171 | Sheet 1 of X |

A

B

C

D