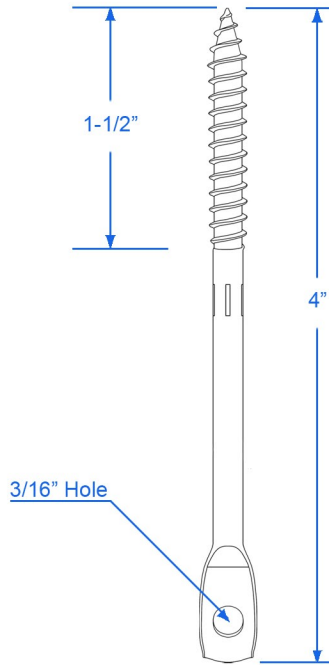
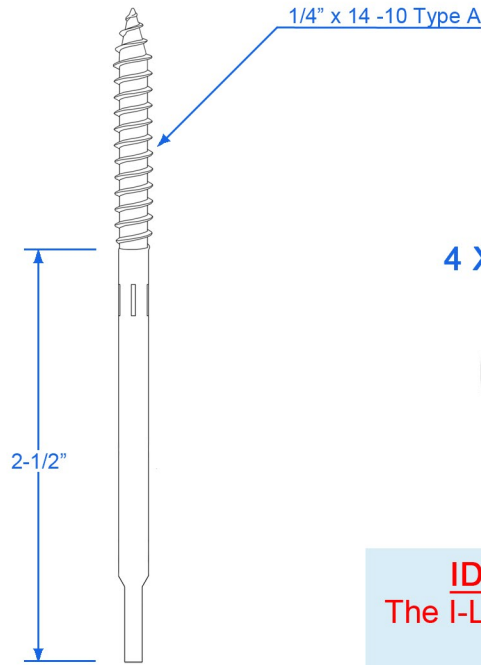


Product Submittal Sheet

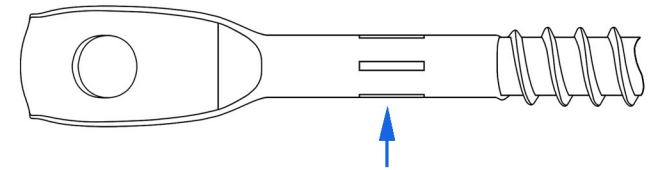
FRONT VIEW



SIDE VIEW



I-LAG™ Brand identification markings
4 X "I's" knurling radiating around the shank











ICC Identification markings

IDENTIFICATION: ESR-4272 SECTION 7.1
The I-LAG™ brand screws are embossed with knurling on the shank of the screw as shown.

Notes:
I-LAG™ Brand eye lag screw part #: W400MZP, sharp point screw designed specifically for suspended ceiling applications only. (For tension applications in dry, interior locations only) Designed for wood applications. Distributed by Doc's Industries, Inc. Simi Valley, CA 93063

Material	CHQ 1022 Steel
Finish	RoHS Compliant Silver / Bright Zinc Cr3+
Origin	Designed in California, Made in Taiwan
Load Rating	See ICC ESR-4272 & STI Reports
Certification	ICC ESR-4272, City of Los Angeles (COLA) Research Reports, STI Independent Testing, RoHS, REACH & ARRA Compliant
Pkg. Qty.	1,000 pcs per box
UPC	707129860156

		
		
		Doc's Industries, Inc. 4121 Guardian St. Simi Valley, CA 93063 www.docindustries.com Phone: 800-544-8706
		Part Number: W400MZP
Product Information		Title: I-LAG™ 4" Overall length with 1-1/2" of thread - sharp point eye lag screw.
Date: 1/17/2022		Drawn by: RO
Drawing Number: 0180		Sheet 1 of 1