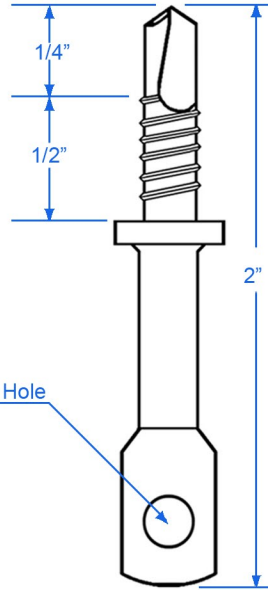
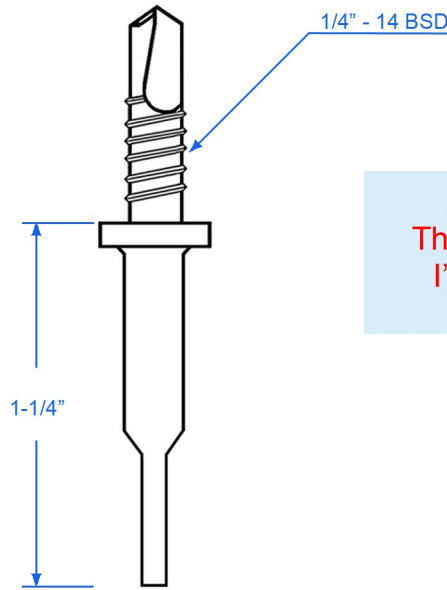


# Product Submittal Sheet

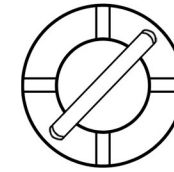
**FRONT VIEW**



**SIDE VIEW**



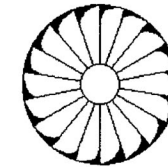
**TOP VIEW OF COLLAR**



ICC Identification markings  
4 X "I's" radiating from the shank on the collar

**IDENTIFICATION:** ESR-3135 SECTION 7.1  
The I-LAG™ brand screws are embossed with four I's radiating from the shank on the top portion of the collar as shown

**BOTTOM VIEW OF COLLAR**




18 LOCKING SERRATION

**Notes:**  
I-LAG™ Brand eye lag screw part #: 750 SD, self-drilling screw designed specifically for suspended ceiling applications only. (For tension applications in dry, interior locations only) Designed for 16 - 22 gauge (0.062" - 0.030") sheet metal / decking. Distributed by Doc's Industries, Inc. Simi Valley, CA 93063

Material	CHQ 1022 Steel
Finish	RoHS Compliant Yellow Zinc Cr3+
Origin	Designed in California, Made in Taiwan
Load Rating	See ICC ESR-3135 & SGS Reports
Certification	ICC ESR-3135, City of Los Angeles (COLA) Research Reports, SGS & STI Independent Testing, RoHS, REACH & ARRA Compliant
Pkg. Qty.	1,000 pcs per box
UPC	707129859990

	
	
	
Product Information	

 <b>DOC'S INDUSTRIES, INC.</b>	
Doc's Industries, Inc. 4121 Guardian St. Simi Valley, CA 93063 www.docindustries.com Phone: 800-544-8706	
Part Number: <b>750 SD</b>	
Title: I-LAG™ 2" Overall length, 3/4" under the collar with 1/2" of thread - self drilling eye lag screw.	
Date: 1/17/2022	Drawn by: RO
Drawing Number: 0176	Sheet 1 of 1