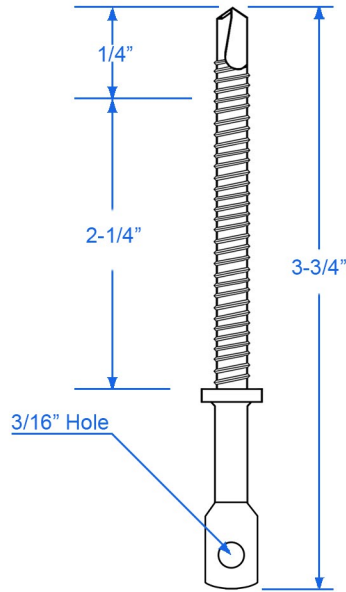
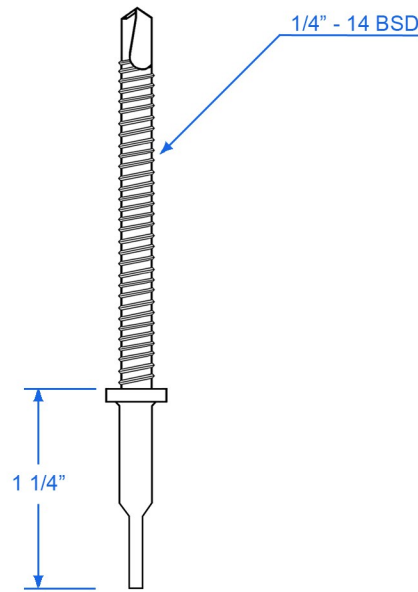


Product Submittal Sheet

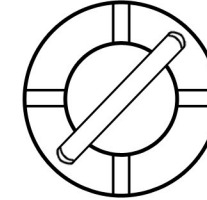
FRONT VIEW



SIDE VIEW

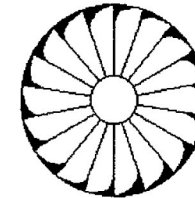


TOP VIEW OF COLLAR



I-LAG™ Brand identification markings
4 X "I's" radiating from the shank on the collar

BOTTOM VIEW OF COLLAR



18 LOCKING SERRATION

Notes:
I-LAG™ Brand eye lag screw part #: 225 SDC, self-drilling screw designed specifically for suspended ceiling applications only. (For tension applications in dry, interior locations only)
Designed to go through 2 - 3 layers of 5/8" drywall and then into 16 - 22 gauge (0.062" - 0.030") sheet metal / decking.
Distributed by Doc's Industries, Inc. Simi Valley, CA 93063

Material	CHQ 1022 Steel
Finish	RoHS Compliant Yellow Zinc Cr3+
Origin	Designed in California, Made in Taiwan
Load Rating	N/A
Certification	RoHS, REACH & ARRA Compliant
Pkg. Qty.	100 pcs per box, 10 x 100 pcs per carton
UPC	707129861085



Product Information



DOC'S INDUSTRIES, INC.

Doc's Industries, Inc. 4121 Guardian St. Simi Valley, CA 93063
www.docindustries.com Phone: 800-544-8706

Part Number: **225 SDC**

Title: I-LAG™ 3-3/4" Overall length, 2-1/2" under the collar with 2-1/4" of thread - self drilling eye lag screw.

Date: 1/17/2022

Drawn by: RO

Drawing Number: 0225C

Sheet 1 of 1