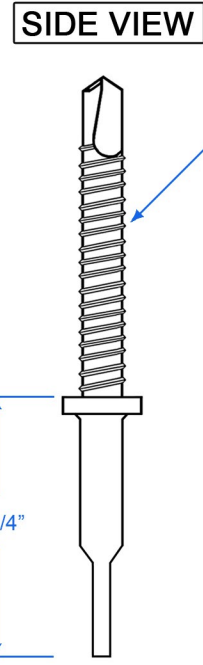
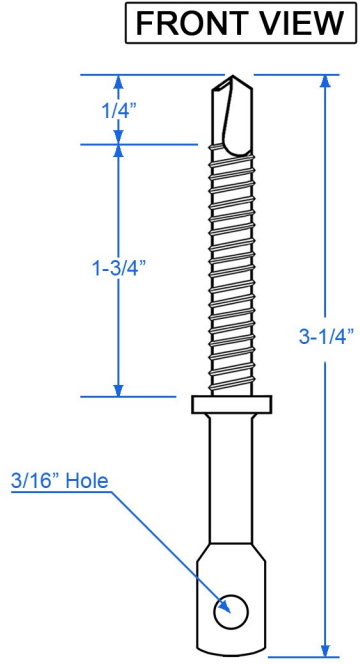
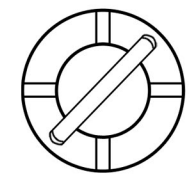


# Product Submittal Sheet



1/4" - 14 BSD

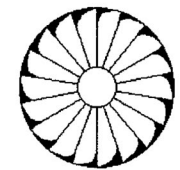
TOP VIEW OF COLLAR



ICC Identification markings  
4 X "I"s radiating from the shank on the collar

**IDENTIFICATION:** ESR-3135 SECTION 7.1  
The I-LAG™ brand screws are embossed with four I's radiating from the shank on the top portion of the collar as shown

BOTTOM VIEW OF COLLAR



18 LOCKING SERRATION

**Notes:**  
I-LAG™ Brand eye lag screw part #: 175 SD, self-drilling screw designed specifically for suspended ceiling applications only. (For tension applications in dry, interior locations only)  
Designed to go through 1 - 2 layers of 5/8" drywall and then into 16 - 22 gauge (0.062" - 0.030") sheet metal / decking.  
Distributed by Doc's Industries, Inc. Simi Valley, CA 93063

Material	CHQ 1022 Steel
Finish	RoHS Compliant Yellow Zinc Cr3+
Origin	Designed in California, Made in Taiwan
Load Rating	See ICC ESR-3135 & SGS Reports
Certification	ICC ESR-3135, City of Los Angeles (COLA) Research Reports, SGS & STI Independent Testing RoHS, REACH & ARRA Compliant
Pkg. Qty.	1,000 pcs per box
UPC	707129860019

Doc's Industries, Inc. 4121 Guardian St. Simi Valley, CA 93063  
www.docindustries.com Phone: 800-544-8706

Part Number: **175 SD**

Title: I-LAG™ 3-1/4" Overall length, 2" under the collar with 1-3/4" of thread - self drilling eye lag screw.

Date: 1/17/2022  
Drawing Number: 0175

Drawn by: RO  
Sheet 1 of 1