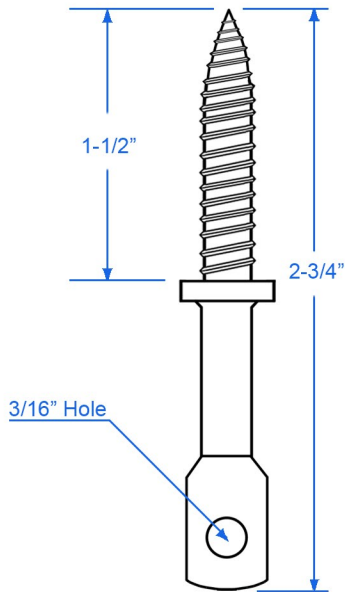
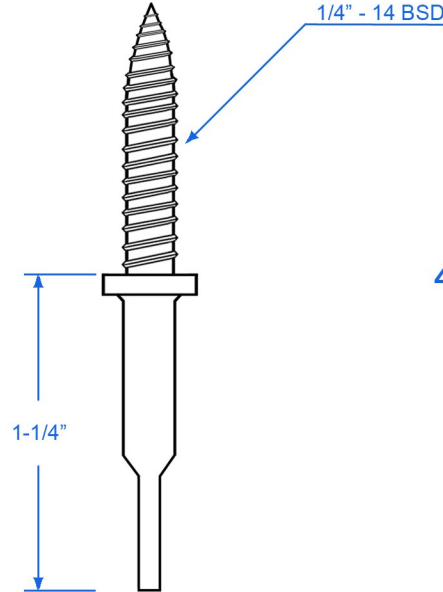


Product Submittal Sheet

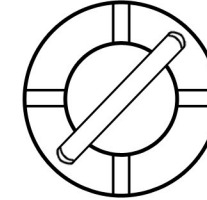
FRONT VIEW



SIDE VIEW

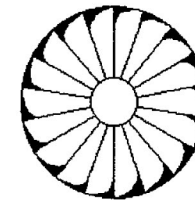


TOP VIEW OF COLLAR



I-LAG™ Brand identification markings
4 X "I's" radiating from the shank on the collar

BOTTOM VIEW OF COLLAR



18 LOCKING SERRATION

Notes:

I-LAG™ Brand eye lag screw part #: 150 SP, sharp / gimlet point screw designed specifically for suspended ceiling applications only.
(For tension applications in dry, interior locations only)
Designed for wood application or 22 gauge (0.030") sheet metal / decking.
Distributed by Doc's Industries, Inc. Simi Valley, CA 93063

Material	CHQ 1022 Steel
Finish	RoHS Compliant Yellow Zinc Cr3+
Origin	Designed in California, Made in Taiwan
Load Rating	See SGS Testing Report
Certification	SGS Independent Testing, RoHS, REACH & ARRA Compliant
Pkg. Qty.	1,000 pcs per box
UPC	707129860071



Product Information



7 07129 86007 1



DOC'S INDUSTRIES, INC.

Doc's Industries, Inc. 4121 Guardian St. Simi Valley, CA 93063
www.docindustries.com Phone: 800-544-8706

Part Number:

150 SP

Title: I-LAG™ 2-3/4" Overall length, 1-1/2" under the collar with 1-1/2" of thread - sharp / gimlet point eye lag screw.

Date: 1/17/2022

Drawn by: RO

Drawing Number: 0185

Sheet 1 of 1