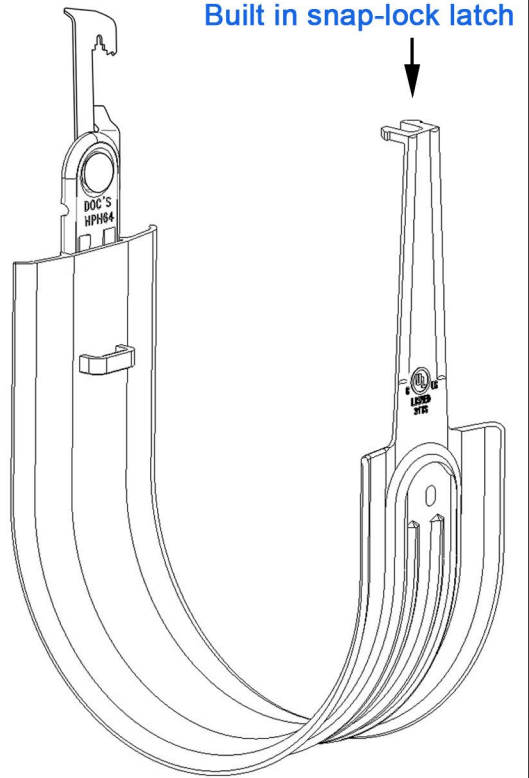
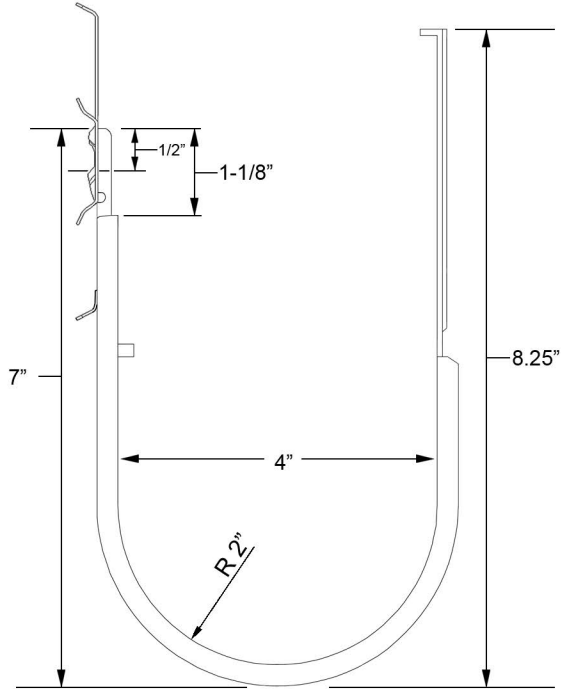
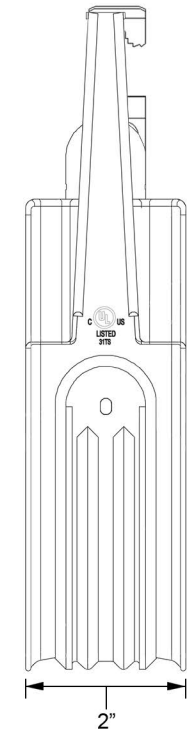
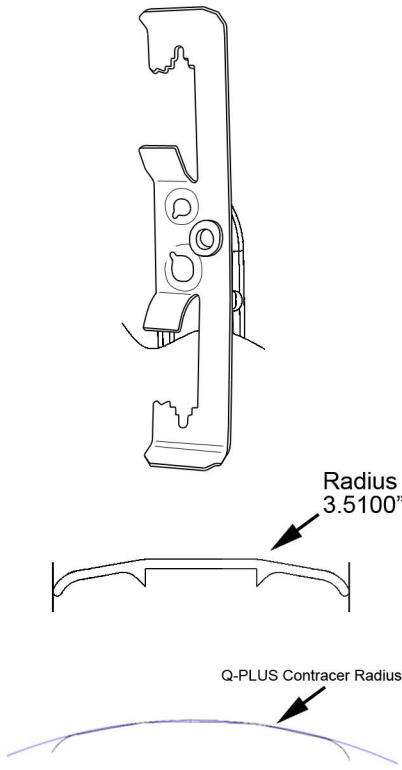


# Product Submittal Sheet



### Notes:

Doc's® Item No.: HPH64W - 4" High Performance Hybrid J Hook assembled to W34 batwing clip.  
 TIA 569-D Compliant with an optimum bend radius of 3.5100" - tested and certified by Q-PLUS Laboratories in Irvine, CA 92618. An ISO 9001 registered / ISO 17025 accredited independent lab. UL load rating is based on a 3 to 1 safety factor. Ultimate Load rating is to failure point. Complies with UL® 2043 and is suitable for use in air handling plenum spaces. Optimal support for high performance data cables such as Cat 5e, Cat 6, Cat 6A and Cat 7.  
 A MITUTOYO CONTOUR TRACER CV-524 WAS USED TO TRACE THE ACTUAL CROSS-SECTION CONTOUR OF THE J-HOOK. BEND RADIUS WAS FIT TO THE RAW DATA TO SIMULATE THE CONTACT OF THE CABLES IN THE J-HOOK.

Material	Steel / Polypropylene
Finish	Eco-friendly Zinc Cr3+
Origin	Desinged in California, Made in China
UL Load	20 lbs. / 88.96 N
Application	12ga ceiling wire or 1/4-20 threaded rod
Certification	cULus, Q-Plus
Pkg. Qty.	25 pcs per box
UPC	852668707506



**Plenum Rated**  
**TIA Compliant**



Doc's Industries, Inc. 4121 Guardian St. Simi Valley, CA 93063  
 www.docindustries.com Phone: 800-544-8706

### Cable Capacity

Part No.	Area	Dia.	CAT 5e	CAT 6	CAT 6a
HPH16	1.29 in <sup>2</sup>	1"	20	15	10
HPH32	3.89 in <sup>2</sup>	2"	90	60	35
HPH48	8.37 in <sup>2</sup>	3"	200	150	80
HPH64	15.08 in <sup>2</sup>	4"	330	220	140

Part Number: **HPH64W**

Title: 4" High Performance Hybrid J Hook with 2" wide base support and built-in snap-lock latch - assembled to W34 batwing clip.

Date: 12/20/2017  
 Drawing Number: 40066  
 Drawn by: RO  
 Sheet 1 of 1