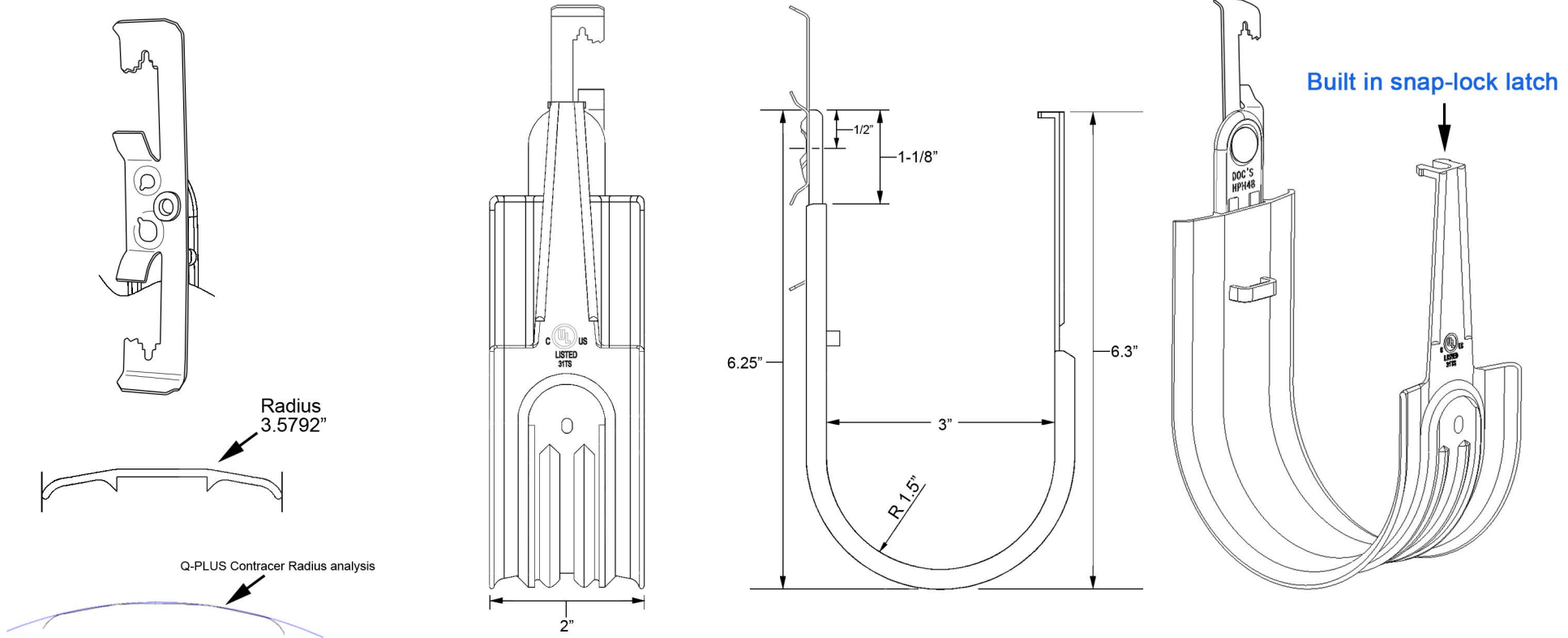


Product Submittal Sheet



Notes:

Doc's® Item No.: HPH48W - 3" High Performance Hybrid J Hook assembled to W34 batwing clip.
 TIA 569-D Compliant with an optimum bend radius of 3.5792" - tested and certified by Q-PLUS Laboratories in Irvine, CA 92618. An ISO 9001 registered / ISO 17025 accredited independent lab. UL load rating is based on a 3 to 1 safety factor. Ultimate Load rating is to failure point. Complies with UL® 2043 and is suitable for use in air handling plenum spaces. Optimal support for high performance data cables such as Cat 5e, Cat 6, Cat 6A and Cat 7.
 A MITUTOYO CONTOUR TRACER CV-524 WAS USED TO TRACE THE ACTUAL CROSS-SECTION CONTOUR OF THE J-HOOK. BEND RADIUS WAS FIT TO THE RAW DATA TO SIMULATE THE CONTACT OF THE CABLES IN THE J-HOOK.

| | |
|---------------|--|
| Material | Steel / Polypropylene |
| Finish | Eco-friendly Zinc Cr3+ |
| Origin | Desinged in California, Made in China |
| UL Load | 20 lbs. / 88.96 N |
| Application | 12ga ceiling wire or 1/4-20 threaded rod |
| Certification | cULus, Q-Plus |
| Pkg. Qty. | 25 pcs per box |
| UPC | 852668707414 |

| | | | | Plenum Rated TIA Compliant | | |
|----------|-----------------------|------|--------|---|--------|--|
| | | | | | | |
| Part No. | Area | Dia. | CAT 5e | CAT 6 | CAT 6a | |
| HPH16 | 1.29 in ² | 1" | 20 | 15 | 10 | |
| HPH32 | 3.89 in ² | 2" | 90 | 60 | 35 | |
| HPH48 | 8.37 in ² | 3" | 200 | 150 | 80 | |
| HPH64 | 15.08 in ² | 4" | 330 | 220 | 140 | |

DOC'S INDUSTRIES, INC.

Doc's Industries, Inc. 4121 Guardian St. Simi Valley, CA 93063
 www.docindustries.com Phone: 800-544-8706

Part Number: **HPH48W**

Title: 3" High Performance Hybrid J Hook with 2" wide base support and built-in snap-lock latch - assembled to W34 batwing clip.

Date: 12/19/2017 Drawn by: RO
 Drawing Number: 30050 Sheet 1 of 1