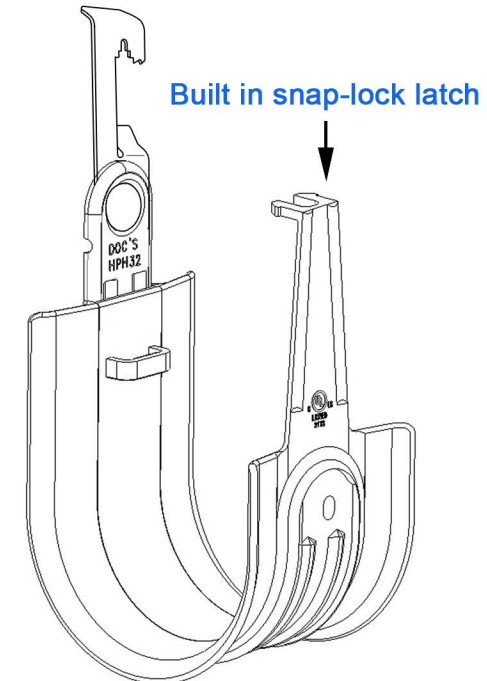
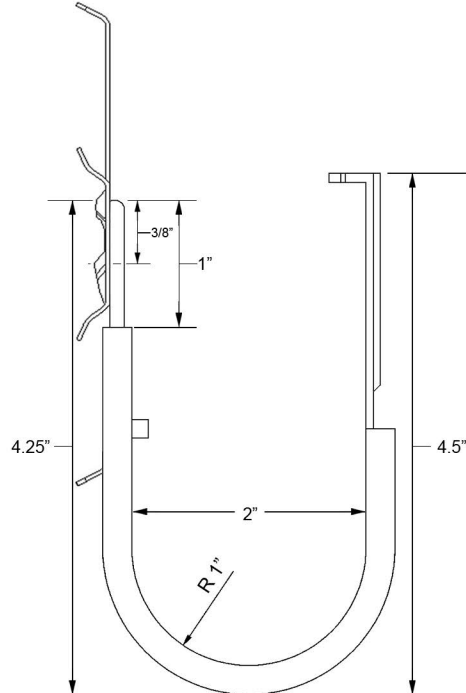
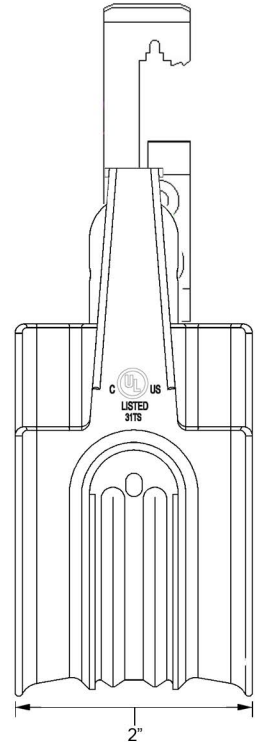
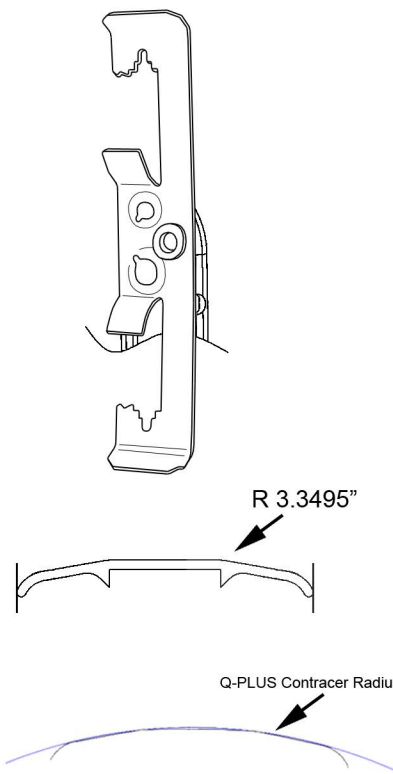


Product Submittal Sheet



Notes:

Doc's® Item No.: HPH32W - 2" High Performance Hybrid J Hook assembled to W34 batwing clip. TIA 569-D Compliant with an optimum bend radius of 3.3495" - tested and approved by Q-PLUS Laboratories in Irvine, CA 92618. An ISO 9001 registered / ISO 17025 accredited independent lab. UL load rating is based on a 3 to 1 safety factor. Listed Ultimate Load rating is to failure point. Complies with UL® 2043 and is suitable for use in air handling plenum spaces. Optimal support for high performance data cables such as Cat 5e, Cat 6, Cat 6A, Cat 7.

A MITUTOYO CONTOUR TRACER CV-524 WAS USED TO TRACE THE ACTUAL CROSS-SECTION CONTOUR OF THE J-HOOKS. BEND RADIUS WAS FIT TO THE RAW DATA TO SIMULATE THE CONTACT OF THE CABLES IN THE J-HOOK.

Material	Steel / Polypropylene
Finish	Eco-friendly Zinc Cr3+
Origin	Desinged in California, Made in China
UL Load	20 lbs. / 88.96 N
Application	12ga ceiling wire or 1/4-20 threaded rod
Approvals	cULus, RoHS, Q-Plus, Plenum rated, TIA Compliant
Pkg. Qty.	25 pcs per box
UPC	707129861849



Plenum Rated
TIA Compliant



Doc's Industries, Inc. 4121 Guardian St. Simi Valley, CA 93063
www.docindustries.com Phone: 800-544-8706

Cable Capacity

Part No.	Area	Dia.	CAT 5e	CAT 6	CAT 6a
HPH16	1.07 in ²	1"	20	15	10
HPH32	3.97 in ²	2"	90	60	35
HPH48	9.26 in ²	3"	200	150	80
HPH64	15.48 in ²	4"	330	220	140

Part Number: **HPH32W**

Title: 2" High Performance Hybrid J Hook with 2" wide base support and built-in snap-lock latch - assembled to W34 batwing clip.

Date: 12/19/2017
Drawing Number: 20034

Drawn by: RO
Sheet 1 of 1