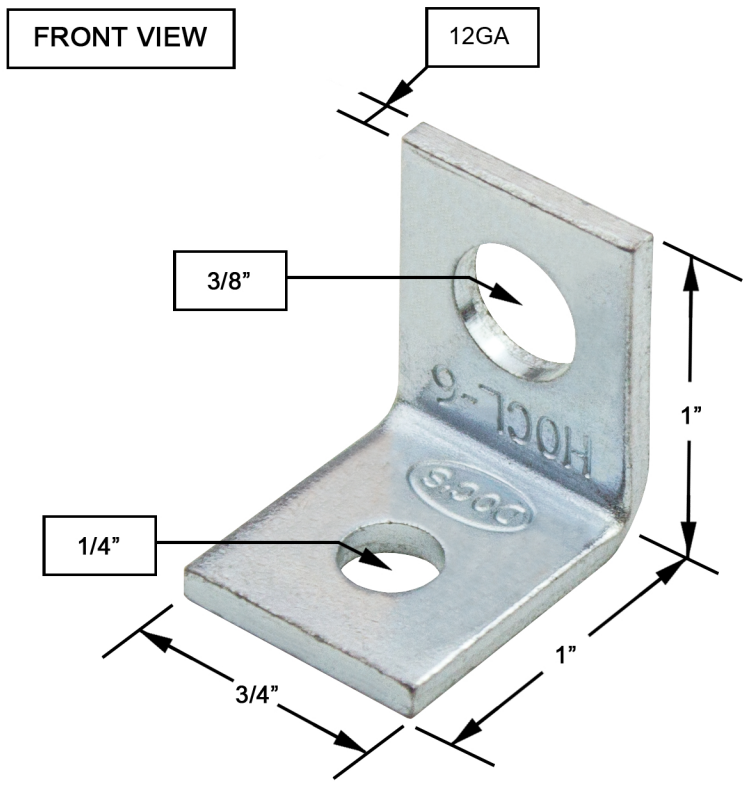



REV	DESCRIPTION	DATE	APPROVAL
1	Gauge thickness changed from 14GA to 12GA	9/22/2017	RO



Notes:
 Doc's Industries, Inc. reserves the right to change specifications without prior notice.

Material	Mild Carbon Steel
Finish	Electroplated Zinc
Origin	China
Application	General Purpose
Approvals	N/A
Pkg. Qty.	100 pc box, 10X100 pc Master Carton
Web Link	http://docsindustries.com/portfolio/angle-clip-with-38-hole/
UPC	707129860484

Release Approval:	Tolerances: .X = +/- 0.02in .XX = +/- 0.01in .XXX = +/- .005in Unless Otherwise Specified
Release Date:	
Customer Approval:	Proprietary Rights: All information that is contained within is proprietary. Not for unauthorized use or disclosure.



DOC'S INDUSTRIES, INC.

Doc's Industries, Inc. 4121 Guardian St., Simi Valley, CA 93063
 www.docindustries.com Phone: 800-544-8706

Part Number: **HOCL-6**

Title: General purpose 12 Gauge 90 degree angle clip 3/4" wide with one 3/8" hole and one 1/4" hole.

Date: 9/22/2017	Drawn by: RO
Drawing Number: 0171R	Sheet 1 of 1