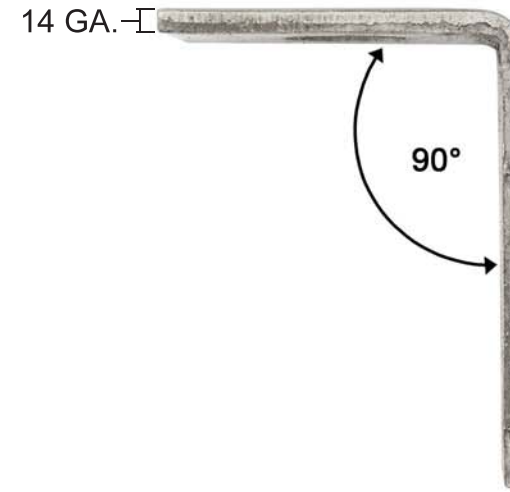
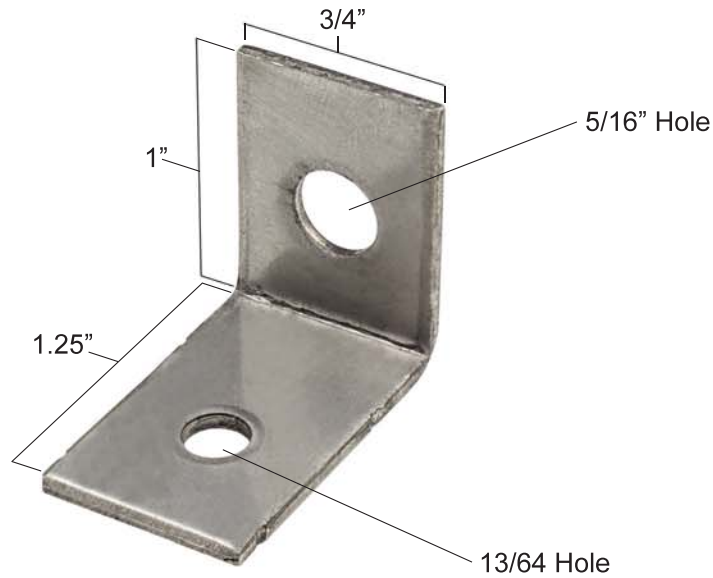


REV	DESCRIPTION	DATE	APPROVAL
1	Gauge thickness revised from 13g to 14g	10/26/2016	RO

FRONT VIEW


SIDE VIEW



Notes:
 316L Stainless Steel 90 degree two hole 14 gauge general purpose angle clip. Product weight 0.04 lbs. each, packaged 100 pcs per box.
 Doc's Industries, Inc. reserves the right to change specifications without prior notice.

Material	316L Stainless Steel
Finish	None
Origin	China
Static Load	N/A
Approvals	N/A
Pkg. Qty.	100 pc box
Web Link	http://docsindustries.com/portfolio/316-stainless-steel-90-angle-clip/
UPC	707129860446

Release Approval:	Tolerances: .X = +/- 0.02in .XX = +/- 0.01in .XXX = +/- .005in Unless Otherwise Specified
Release Date:	
Customer Approval:	Proprietary Rights: All information that is contained within is proprietary. Not for unauthorized use or disclosure.



DOC'S INDUSTRIES, INC.

Doc's Industries, Inc. 4121 Guardian St., Simi Valley, CA 93063
 www.docindustries.com Phone: 800-544-8706

Part Number: **HOCL-1SS**

Title: 316L Stainless Steel 90 degree two hole 14 gauge general purpose angle clip with one 13/64" hole and one 5/16 hole.

Date: 11/4/2016	Drawn by: RO
Drawing Number: XXX	Sheet 1 of 1