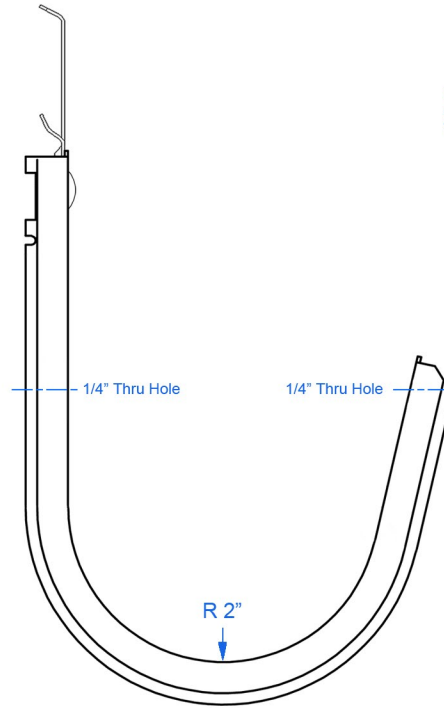
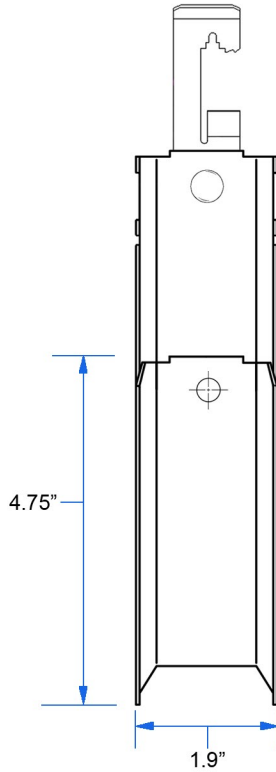
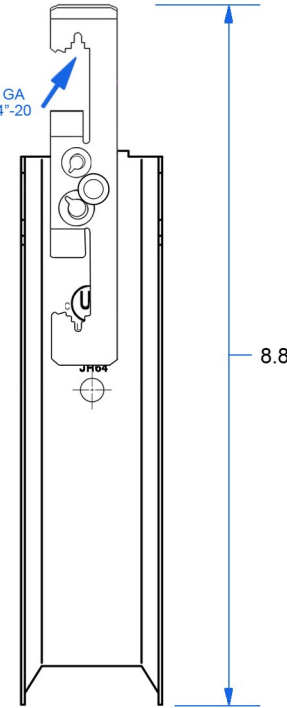


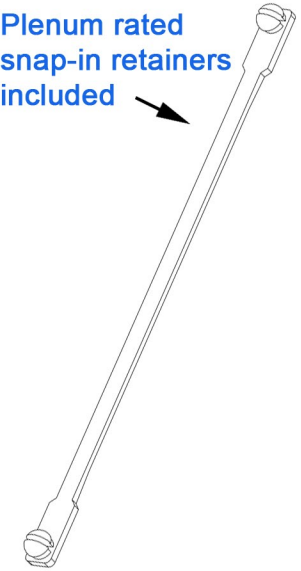
# Product Submittal Sheet



For use with #12 GA ceiling wire or 1/4"-20 threaded rod



Plenum rated snap-in retainers included



### Notes:

Doc's® Item No.: JH64W - 4" Metal J-Hook with included retainer strap assembled to W34 batwing clip for #12 GA ceiling wire or 1/4"-20 threaded rod.  
 UL load rating is based on a 3 to 1 safety factor. Ultimate Load rating is to failure point. Complies with UL® 2043 and is suitable for use in air handling plenum spaces. Optimal support for high performance data cables such as Cat 5e, Cat 6, Cat 6A and Cat 7.

**NOTE:**  
 Actual cable capacity may vary due to CAT cable outside diameter variances by type and manufacturer. Consult with the cable manufacturer to insure the correct cable outside diameter is being used during calculations.

A MITUTOYO CONTOUR TRACER CV-524 WAS USED TO TRACE THE ACTUAL CROSS-SECTION CONTOUR OF THE J-HOOK. BEND RADIUS WAS FIT TO THE RAW DATA TO SIMULATE THE CONTACT OF THE CABLES IN THE J-HOOK.

|               |  |
|---------------|--|
| Material      | Steel                                      |
| Finish        | Yellow Zinc                                |
| Origin        | Designed in California, Made in China      |
| UL Load       | 33.3 lbs. / 7.48 N                         |
| Application   | #12 GA wire or 1/4"-20 threaded rod        |
| Certification | cULus, Plenum Rated, TIA Compliant, Q-Plus |
| Pkg. Qty.     | 25 pcs per box                             |
| UPC           | 680283920860                               |

| <b>Cable Capacity</b> |                       |         |       |      |          |
|-----------------------|-----------------------|---------|-------|------|----------|
| Part No.              | Area                  | Dia.    | CAT5e | CAT6 | CAT6a    |
| JH12                  | 0.61 in <sup>2</sup>  | 3/4"    | 16    | 10   | 2 - 4    |
| JH21                  | 1.86 in <sup>2</sup>  | 1-5/16" | 50    | 32   | 7 - 15   |
| JH32                  | 3.97 in <sup>2</sup>  | 2"      | 80    | 50   | 20 - 30  |
| JH64                  | 14.57 in <sup>2</sup> | 4"      | 300   | 220  | 80 - 120 |

**DOC'S INDUSTRIES, INC.**

Doc's Industries, Inc. 4121 Guardian St. Simi Valley, CA 93063  
 www.docindustries.com Phone: 800-544-8706

Part Number: **JH64W**

Title: 4" Metal J-Hook with included retainer strap assembled to W34 batwing clip for #12 GA ceiling wire or 1/4"-20 threaded rod.

Date: 2/24/2022      Drawn by: RO

Drawing Number: 10191      Sheet 1 of 1

A

B

C

D