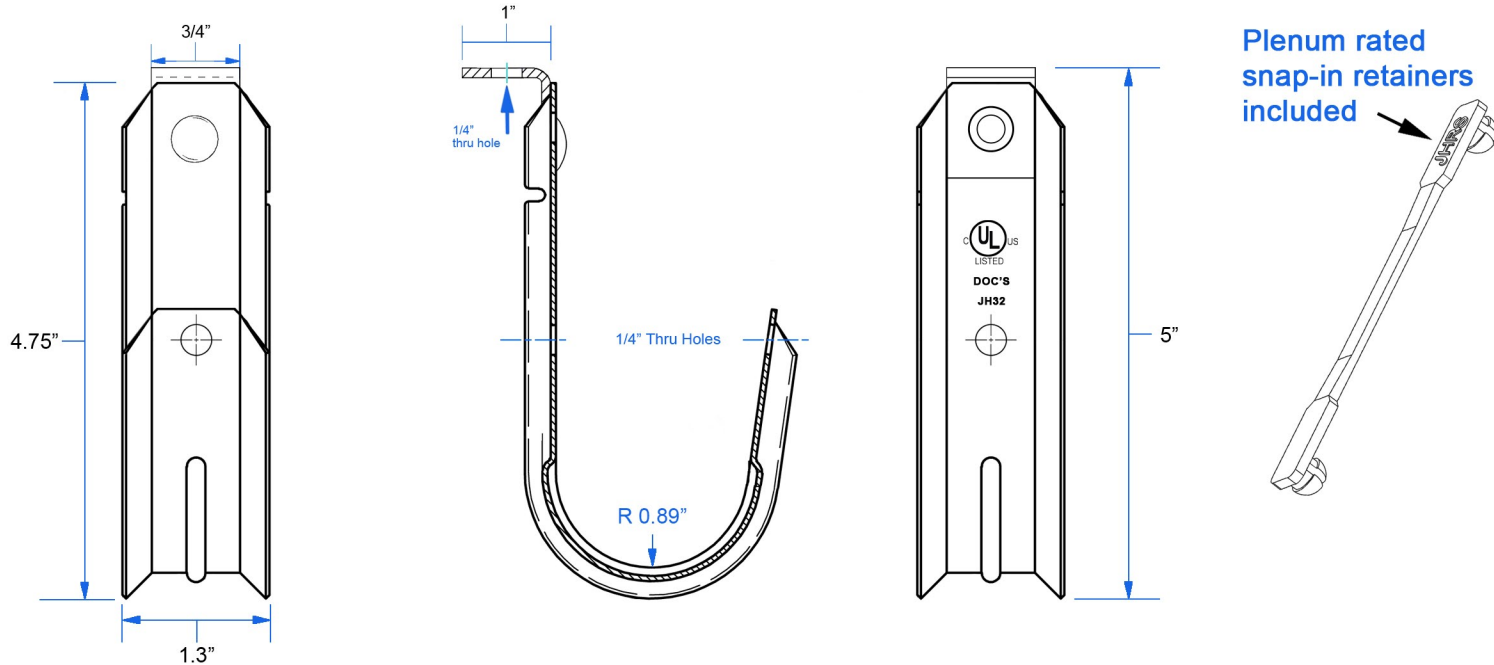


Product Submittal Sheet



Notes:

Doc's® Item No.: JH32AC - 2" Metal J-Hook with included retainer strap assembled to 90° angle clip with 1/4" thru hole.
 UL load rating is based on a 3 to 1 safety factor. Ultimate Load rating is to failure point.
 Complies with UL® 2043 and is suitable for use in air handling plenum spaces.
 Optimal support for high performance data cables such as Cat 5e, Cat 6, Cat 6A and Cat 7.
NOTE:
 Actual cable capacity may vary due to CAT cable outside diameter variances by type and manufacturer.
 Consult with the cable manufacturer to insure the correct cable outside diameter is being used during calculations.
 A MITUTOYO CONTOUR TRACER CV-524 WAS USED TO TRACE THE ACTUAL CROSS-SECTION CONTOUR OF THE J-HOOK. BEND RADIUS WAS FIT TO THE RAW DATA TO SIMULATE THE CONTACT OF THE CABLES IN THE J-HOOK.

Material	Steel
Finish	Yellow Zinc
Origin	Designed in California, Made in China
UL Load	17 lbs. / 3.82 N
Application	1/4"-20 threaded rod or direct fastening
Certification	cULus, Plenum Rated, TIA Compliant, Q-Plus
Pkg. Qty.	100 pcs per box
UPC	680283920655

DOC'S INDUSTRIES, INC.

Cable Capacity						
Part No.	Area	Dia.	CAT5e	CAT6	CAT6a	
JH12	0.61 in ²	3/4"	16	10	2 - 4	
JH21	1.86 in ²	1-5/16"	50	32	7 - 15	
JH32	3.97 in ²	2"	80	50	20 - 30	
JH64	14.57 in ²	4"	300	220	80 - 120	

Doc's Industries, Inc. 4121 Guardian St. Simi Valley, CA 93063
 www.docindustries.com Phone: 800-544-8706

Part Number: **JH32AC**

Title: 2" Metal J-Hook with included retainer strap assembled to 90° angle clip with 1/4" thru hole.

Date: 2/24/2022 Drawn by: RO

Drawing Number: 10195 Sheet 1 of 1