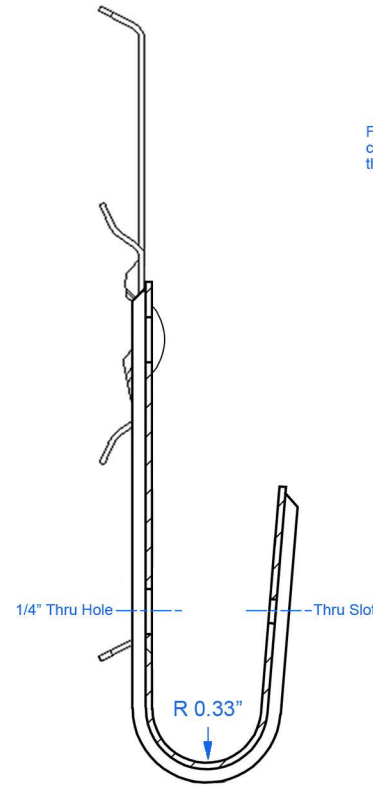
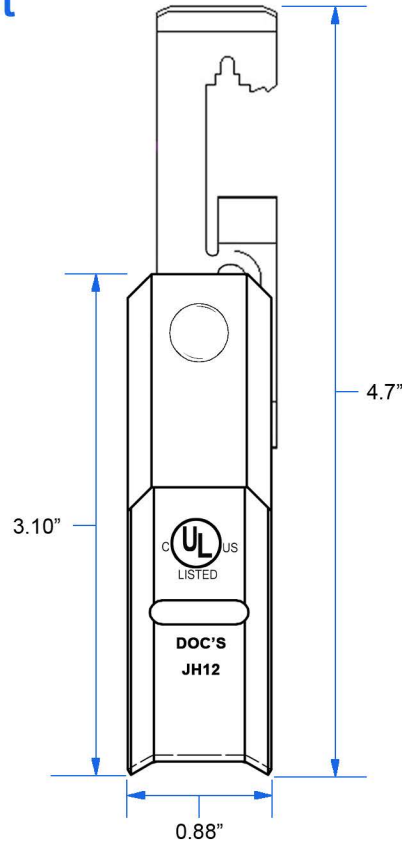
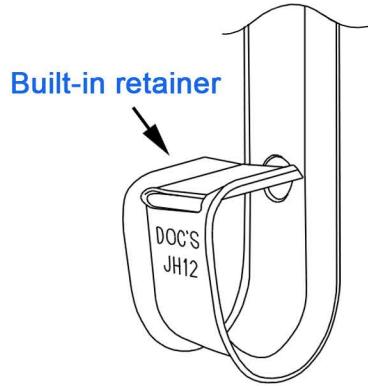
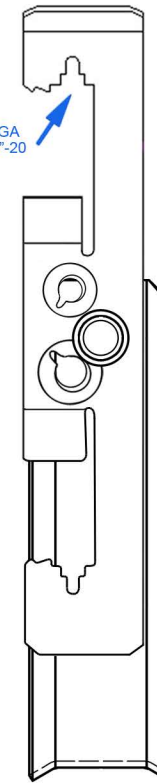


# Product Submittal Sheet



For use with #12 GA ceiling wire or 1/4"-20 threaded rod



### Notes:

Doc's® Item No.: JH12W - 3/4" Metal J-Hook with built-in retainer assembled to W34 batwing clip for #12 GA ceiling wire or 1/4"-20 threaded rod.  
 UL load rating is based on a 3 to 1 safety factor. Ultimate Load rating is to failure point.  
 Complies with UL® 2043 and is suitable for use in air handling plenum spaces.  
 Optimal support for high performance data cables such as Cat 5e, Cat 6, Cat 6A and Cat 7.

**NOTE:**  
 Actual cable capacity may vary due to CAT cable outside diameter variances by type and manufacturer.  
 Consult with the cable manufacturer to insure the correct cable outside diameter is being used during calculations.

<b>Material</b>	Steel
<b>Finish</b>	Yellow Zinc
<b>Origin</b>	Designed in California, Made in China
<b>UL Load</b>	17 lbs. / 3.82 N
<b>Application</b>	#12 GA wire or 1/4"-20 threaded rod
<b>Certification</b>	cULus, Plenum Rated
<b>Pkg. Qty.</b>	100 pcs per box
<b>UPC</b>	680283920310



Doc's Industries, Inc. 4121 Guardian St. Simi Valley, CA 93063  
 www.docindustries.com Phone: 800-544-8706

### Cable Capacity

Part No.	Area	Dia.	CAT5e	CAT6	CAT6a
JH12	0.61 in <sup>2</sup>	3/4"	16	10	2 - 4
JH21	1.86 in <sup>2</sup>	1-5/16"	50	32	7 - 15
JH32	3.97 in <sup>2</sup>	2"	80	50	20 - 30
JH64	14.57 in <sup>2</sup>	4"	300	220	80 - 120

Part Number:

# JH12W

Title: 3/4" Metal J-Hook with built-in retainer assembled to W34 batwing clip for #12 GA ceiling wire or 1/4"-20 threaded rod.

Date: 2/24/2022

Drawn by: RO

Drawing Number: 10201

Sheet 1 of 1