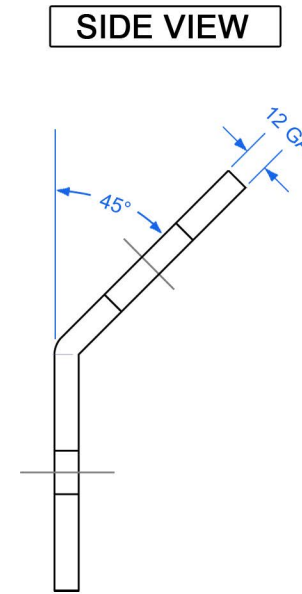
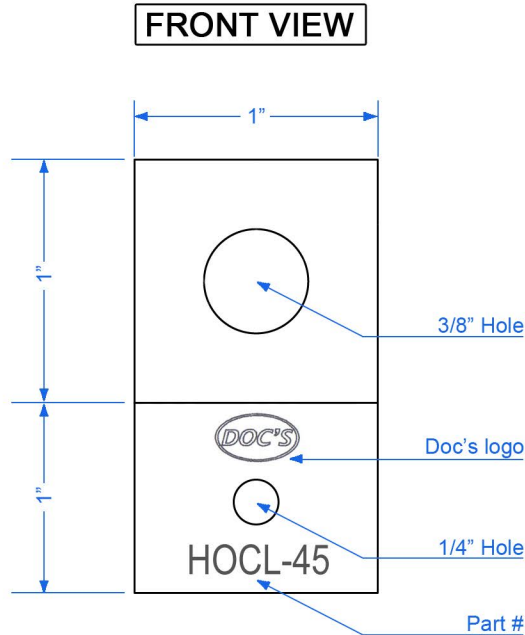


Product Submittal Sheet

REV	DESCRIPTION	DATE	APPROVAL
1	Hole size changed from 3/16" to 1/4"	9/7/2022	R.OCHOA



Notes:

Product weight 0.05 lbs. each,
 Packaged 1,000 pcs per box.
 Complies with California DSA IR 25-2.13 Sheet No.: 4.10, 4.30

Material	Mild Carbon Steel
Finish	Electro plated Zinc
Origin	Designed in California, Made in China
Certification	Complies with California DSA IR-25.3
Pkg. Qty.	1,000 pcs per box
UPC	707129860316



HOCL-45 (1,000 PCS)



DOC'S INDUSTRIES, INC.

Doc's Industries, Inc. 4121 Guardian St. Simi Valley, CA 93063
 www.docsinindustries.com Phone: 800-544-8706

Part Number:

HOCL-45

Title: 12 Gauge general purpose 45 degree angle clip with:
 one 3/8" hole & one 1/4" hole.

Date: 9/07/2022

Drawn by: RO

Drawing Number: 0166

Sheet 1 of 1